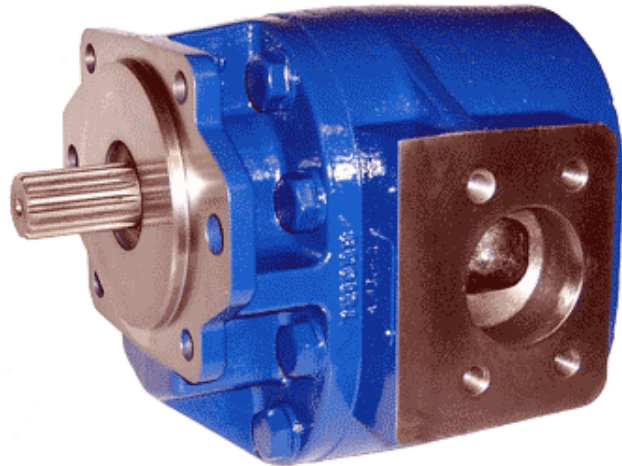




HYDRAULIC GEAR PUMPS AND MOTORS

# 'E' Series

## SINGLE PUMP



### Performance Data

MODEL SIZE	DISPLACEMENT/REVOLUTION (THEORETICAL)			MAXIMUM PRESSURE		MINIMUM RPM	MAXIMUM RPM
	U.S. GALLONS	CUBIC INCHES	CUBIC CENT.	PSI	BAR		
E30	.0258	5.98	98.0	4000	276	600	2500
E35	.0300	6.93	113.5	4000	276	600	2500
E40	.0342	7.90	129.4	4000*	276	600	2500
E45	.0386	8.92	146.2	4000*	276	600	2500
E50	.0427	9.86	161.6	3800*	262	600	2500
E55	.0470	10.86	178.0	3400*	234	600	2500
E66	.0570	13.17	215.6	2900*	200	600	2500
E77	.0658	15.20	249.2	2500*	172	600	2500
E85	.0727	16.79	275.2	2250*	155	600	2500
E95	.0818	18.91	309.8	2000*	138	600	2500

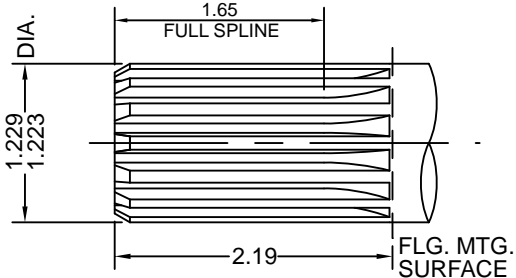
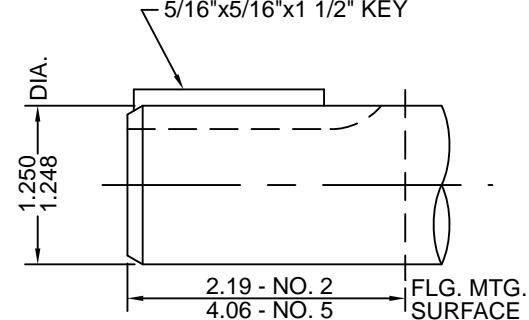
\* CONSULT FACTORY WITH TYPE APPLICATION

- CAST IRON THROUGHOUT
- PRESSURES TO 4000 PSI
- FLOWS TO 204 GPM
- HEAVY DUTY SLEEVE TYPE BEARINGS
- DOUBLE VITON® SHAFT SEALS STANDARD
- PRESSURE COMPENSATED THRUST PLATES
- DESIGNED FOR HEAVY DUTY APPLICATIONS
- SINGLE AND MULTI-STAGE CONFIGURATIONS
- VARIOUS SHAFT, FLANGE AND PORT OPTIONS
- PRECISION GEARS MACHINED FROM SOLID BAR STOCK
- COMPATIBLE WITH MOST FIRE RESISTANT FLUIDS
- CONTAMINANT RESISTANT
- COMPUTER DESIGNED AND MANUFACTURED
- QUALITY CERTIFIED
- FLEXIBLE DESIGN FOR NEW OR OEM REPLACEMENTS
- SERVICE SUPPORTED BY DEDICATION AND INVENTORY

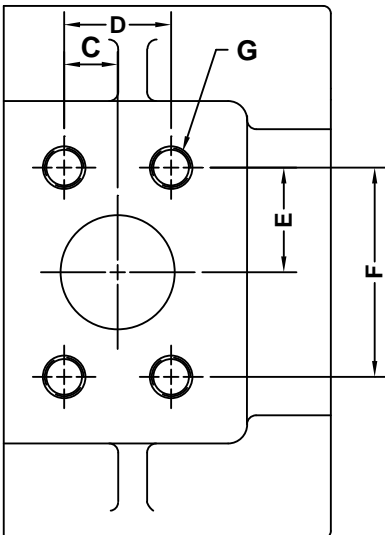
P. O. BOX 2160, 1506 FULTON DR.  
CORINTH, MISSISSIPPI 38835

Phone: 662/286-2252 Fax: 662/287-6580 E-mail: [haisales@geartek.com](mailto:haisales@geartek.com) Http: [www.geartek.com](http://www.geartek.com)

## SHAFTS AVAILABLE

<div style="border: 1px solid black; padding: 5px; margin-bottom: 5px;"> <b style="font-size: 24px;">1</b> </div> <h3 style="color: red; margin: 0;">1 1/4"-14 TOOTH SPLINE</h3> <p style="margin: 0;">TORQUE LIMIT 650 FT/LBS</p> <p style="margin: 0; text-align: center;"><b>SPLINE DATA</b></p> <table style="margin: 0; width: 100%; border-collapse: collapse;"> <tr><td style="border: none;">DIAMETRAL PITCH</td><td style="border: none; text-align: right;">12/24</td></tr> <tr><td style="border: none;">PRESSURE ANGLE</td><td style="border: none; text-align: right;">30°</td></tr> <tr><td style="border: none;">NO. OF TEETH</td><td style="border: none; text-align: right;">14</td></tr> <tr><td style="border: none;">MINOR DIA.</td><td style="border: none; text-align: right;">1.062-1.050</td></tr> </table> 	DIAMETRAL PITCH	12/24	PRESSURE ANGLE	30°	NO. OF TEETH	14	MINOR DIA.	1.062-1.050	<div style="border: 1px solid black; padding: 5px; margin-bottom: 5px;"> <b style="font-size: 24px;">2</b> </div> <div style="border: 1px solid black; padding: 5px; margin-bottom: 5px;"> <b style="font-size: 24px;">5</b> </div> <h3 style="color: red; margin: 0;">1 1/4" STRAIGHT</h3> <p style="margin: 0;">TORQUE LIMIT 650 FT/LBS</p> <p style="margin: 0;">E55, E66, E77 &amp; E95 ONLY</p> 
DIAMETRAL PITCH	12/24								
PRESSURE ANGLE	30°								
NO. OF TEETH	14								
MINOR DIA.	1.062-1.050								

## STANDARD SAE 4-BOLT CONNECTOR PORTS



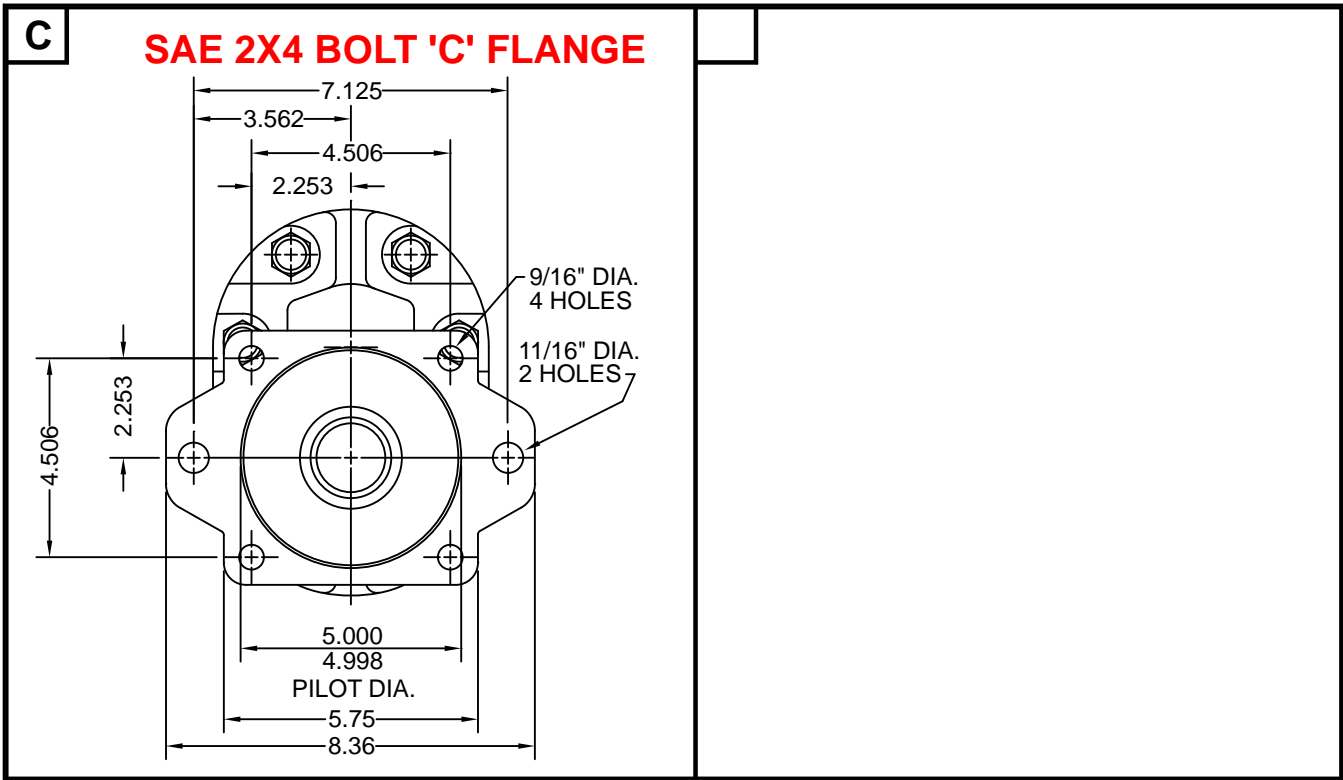
### SAE 4-BOLT CONN. PORTS

SIZE	INLET SIZE	OUTLET SIZE
E30	2 1/2"	1 1/4"
E35	2 1/2"	1 1/4"
E40	2 1/2"	1 1/4"
E45	2 1/2"	1 1/4"
E50	2 1/2"	1 1/2"
E55	2 1/2"	1 1/2"
E66	2 1/2"	1 1/2"
E77	2 1/2"	1 1/2"
E85	2 1/2"	1 1/2"
E95	3"	2"

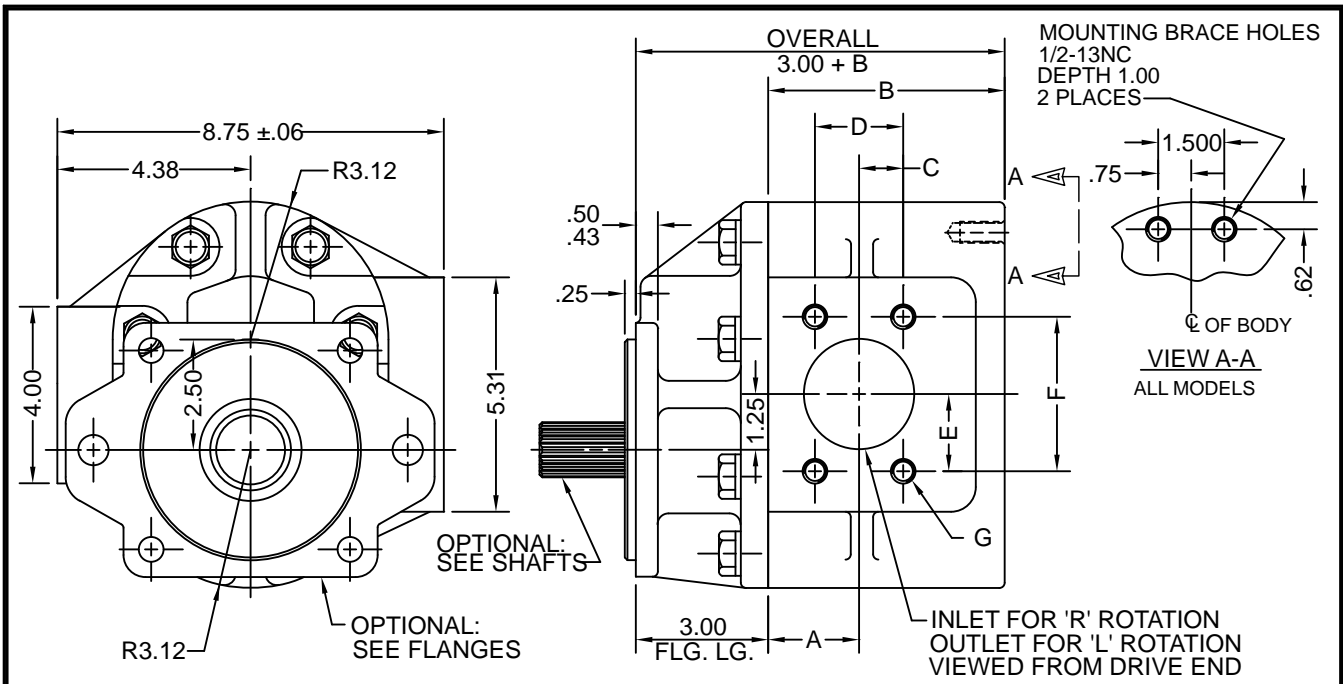
### 4-BOLT CONNECTOR CHART

SIZE	C	D	E	F	G
1 1/4"	.59	1.188	1.15	2.313	7/16-14NC
1 1/2"	.70	1.406	1.37	2.750	1/2-13NC
2"	.84	1.688	1.53	3.062	1/2-13NC
2 1/2"	1.00	2.000	1.75	3.500	1/2-13NC
3"	1.21	2.438	2.09	4.188	5/8-11NC

## FLANGES AVAILABLE



## DIMENSIONAL DATA



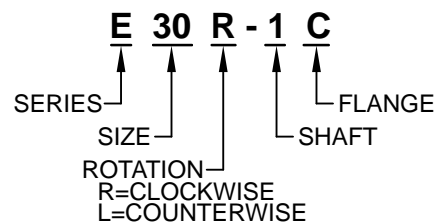
### MOUNTING DIMENSIONS

SIZE	A	B
E30	1.75	4.92
E35	1.92	5.10
E40	2.09	5.27
E45	2.28	5.46
E50	2.45	5.63
E55	2.63	5.81
E66	3.05	6.23
E77	3.42	6.60
E85	3.00	6.89
E95	3.00	7.27

FOR METRIC DIMENSIONS  
MULTIPLY 25.4 X IN. = mm

OTHER PORT TYPES AVAILABLE  
CONSULT FACTORY

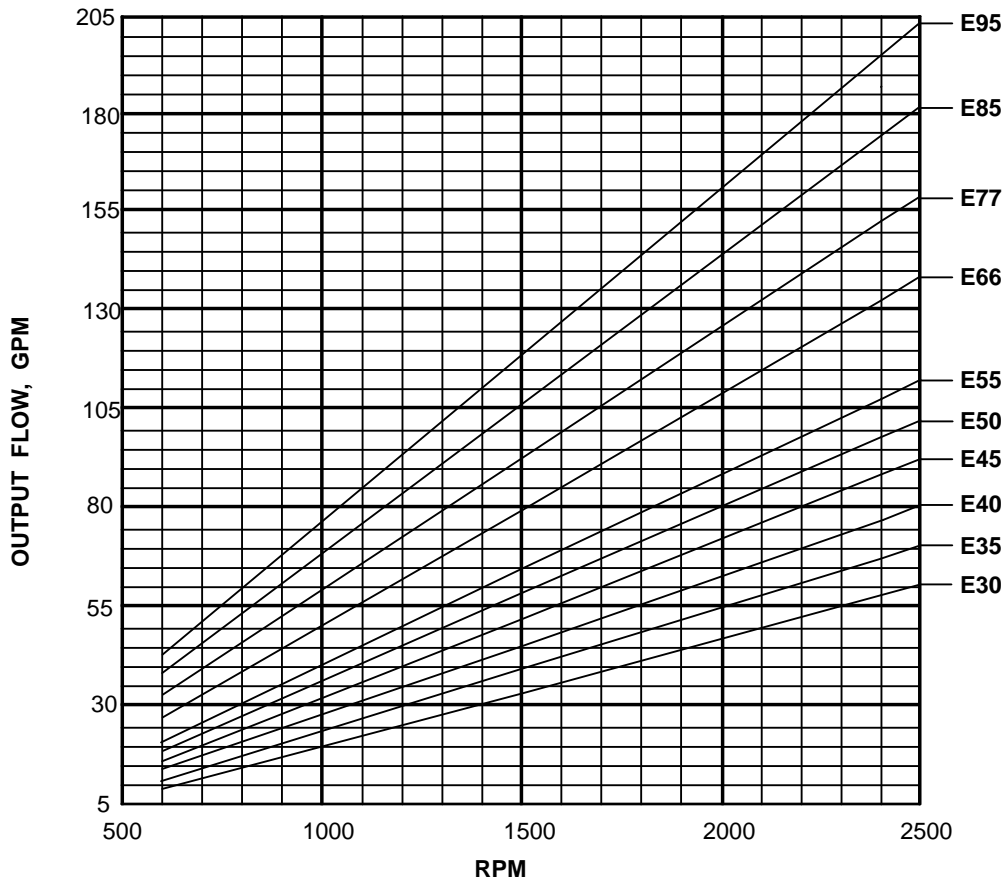
### MODEL EXAMPLE



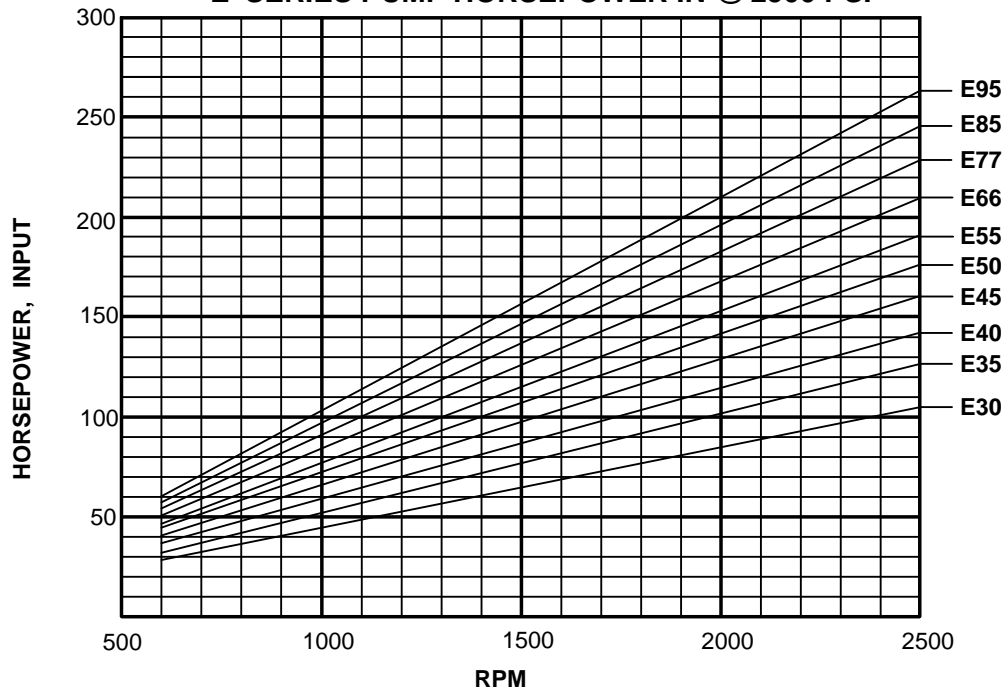
# TYPICAL PERFORMANCE DATA

SAE 10W OIL @ 150° (150 SSU)

## 'E' SERIES TYPICAL PUMP FLOW @ 2500 PSI



## 'E' SERIES PUMP HORSEPOWER IN @ 2500 PSI





**Performance  
Data**

MODEL SIZE	DISPLACEMENT/REVOLUTION (THEORETICAL)			MAXIMUM PRESSURE		MINIMUM RPM	MAXIMUM RPM
	U.S. GALLONS	CUBIC INCHES	CUBIC CENT.	PSI	BAR		
E30	.0258	5.98	98.0	4000	276	600	2500
E35	.0300	6.93	113.5	4000	276	600	2500
E40	.0342	7.90	129.4	4000*	276	600	2500
E45	.0386	8.92	146.2	4000*	276	600	2500
E50	.0427	9.86	161.6	3800*	262	600	2500
E55	.0470	10.86	178.0	3400*	234	600	2500
E66	.0570	13.17	215.6	2900*	200	600	2500
E77	.0658	15.20	249.2	2500*	172	600	2500
E95	.0818	18.91	309.8	2000*	138	600	2500

\* CONSULT FACTORY WITH TYPE APPLICATION

- CAST IRON THROUGHOUT
- PRESSURES TO 4000 PSI
- FLOWS TO 204 GPM
- HEAVY DUTY SLEEVE TYPE BEARINGS
- DOUBLE VITON® SHAFT SEALS STANDARD
- PRESSURE COMPENSATED THRUST PLATES
- DESIGNED FOR HEAVY DUTY APPLICATIONS
- SINGLE AND MULTI-STAGE CONFIGURATIONS
- VARIOUS SHAFT, FLANGE AND PORT OPTIONS
- PRECISION GEARS MACHINED FROM SOLID BAR STOCK
- COMPATIBLE WITH MOST FIRE RESISTANT FLUIDS
- CONTAMINANT RESISTANT
- COMPUTER DESIGNED AND MANUFACTURED
- QUALITY CERTIFIED
- FLEXIBLE DESIGN FOR NEW OR OEM REPLACEMENTS
- SERVICE SUPPORTED BY DEDICATION AND INVENTORY

P. O. BOX 2160, 1506 FULTON DR.  
CORINTH, MISSISSIPPI 38835

Phone: 662/286-2252 Fax: 662/287-6580 E-mail: [haisales@geartek.com](mailto:haisales@geartek.com) Http: [www.geartek.com](http://www.geartek.com)

# SHAFTS AVAILABLE

**1**

**1 1/4"-14 TOOTH SPLINE**  
TORQUE LIMIT 650 FT/LBS

**SPLINE DATA**

DIAMETRAL PITCH	12/24
PRESSURE ANGLE	30°
NO. OF TEETH	14
MINOR DIA.	1.062-1.050

**7**

**1 1/2" STRAIGHT**  
TORQUE LIMIT 1180 FT/LBS

**8**

E55 & E77 ONLY

**6**

**1 1/2"-17 TOOTH SPLINE**  
TORQUE LIMIT 1180 FT/LBS

**SPLINE DATA**

DIAMETRAL PITCH	12/24
PRESSURE ANGLE	30°
NO. OF TEETH	17
MINOR DIA.	1.290-1.300

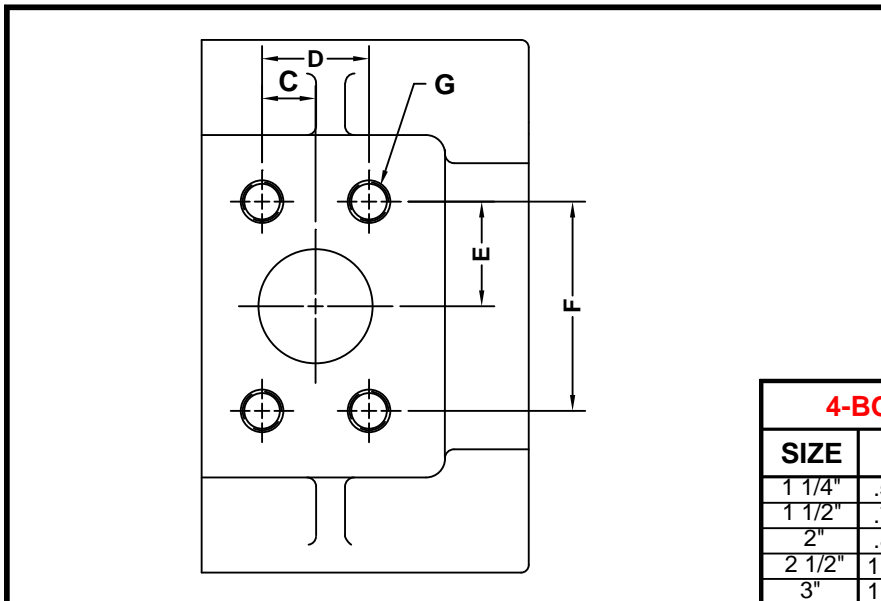
**9**

**1 1/2"-14 TOOTH SPLINE**  
TORQUE LIMIT 1180 FT/LBS

**SPLINE DATA**

DIAMETRAL PITCH	10/20
PRESSURE ANGLE	30°
NO. OF TEETH	14
MINOR DIA.	1.251-1.271

# STANDARD SAE 4-BOLT CONNECTOR PORTS



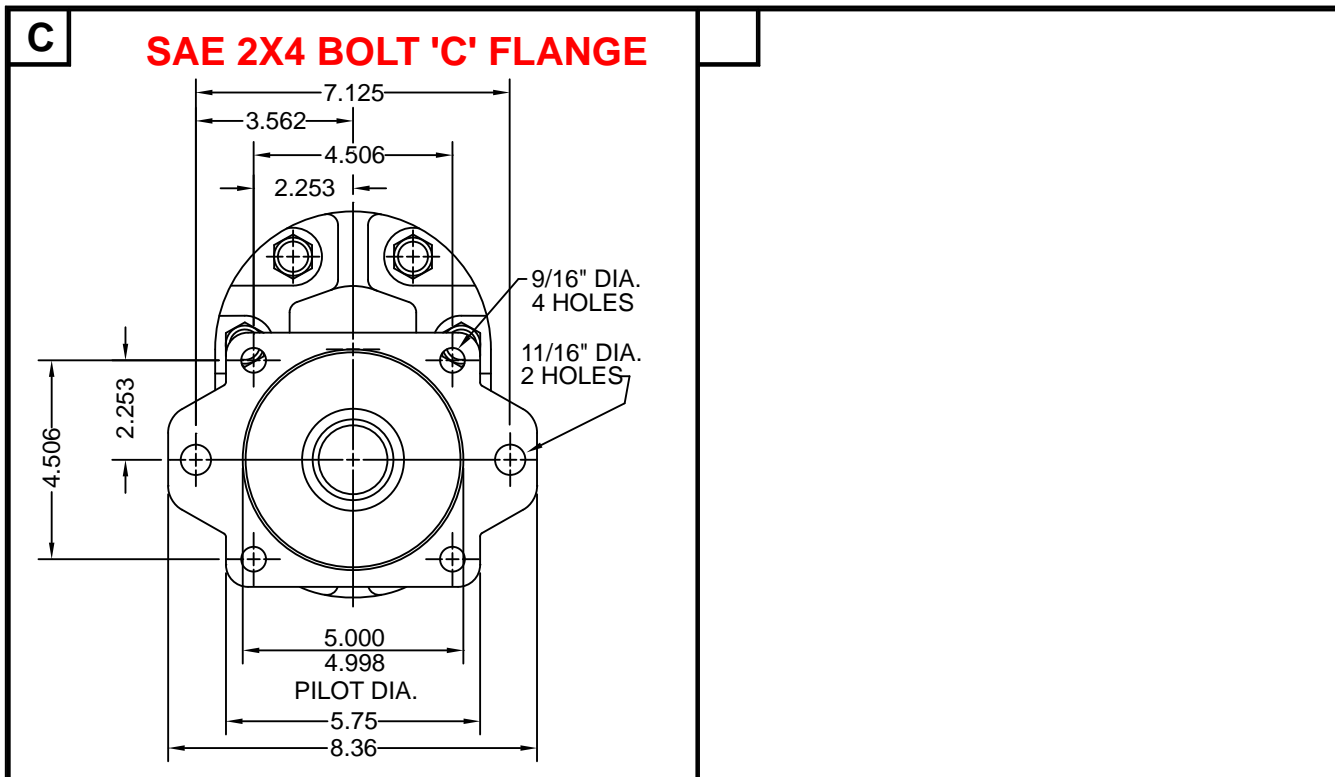
**SAE 4-BOLT CONN. PORTS**

SIZE	INLET SIZE	OUTLET SIZE
E30	2 1/2"	1 1/4"
E35	2 1/2"	1 1/4"
E40	2 1/2"	1 1/4"
E45	2 1/2"	1 1/4"
E50	2 1/2"	1 1/2"
E55	2 1/2"	1 1/2"
E66	2 1/2"	1 1/2"
E77	2 1/2"	1 1/2"
E95	3"	2"

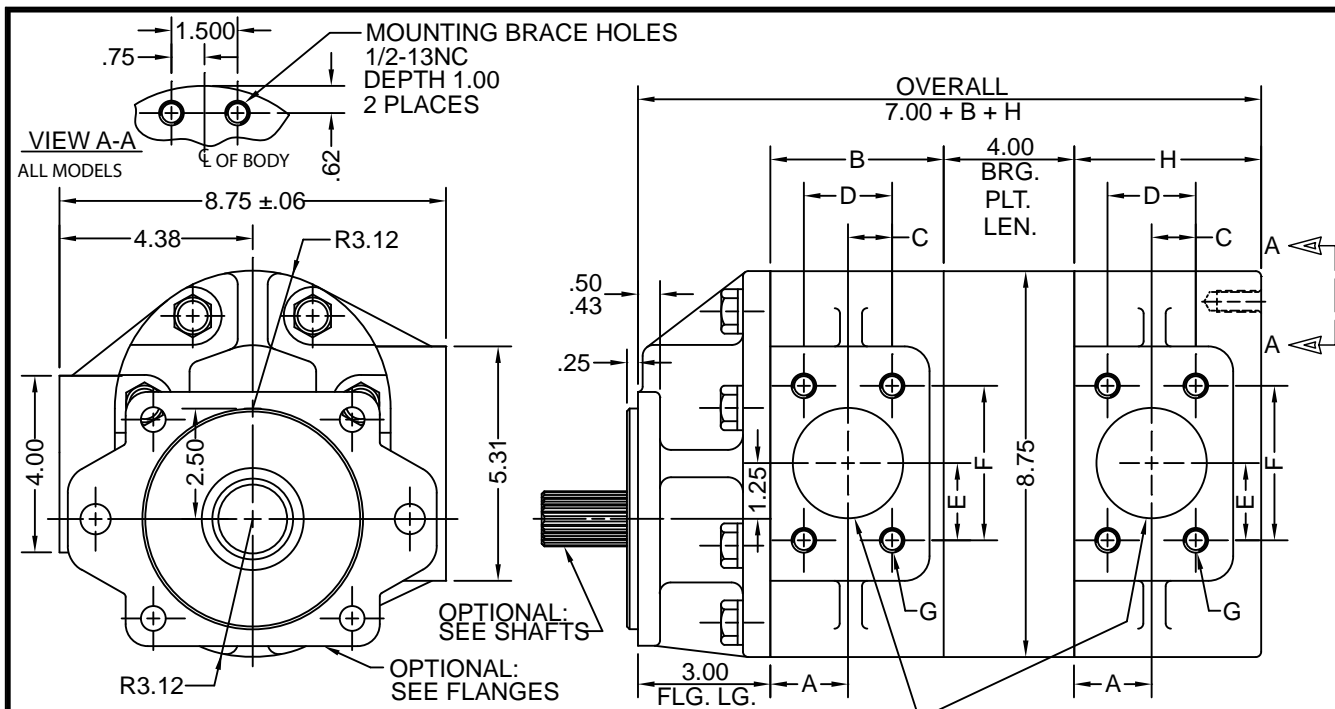
**4-BOLT CONNECTOR CHART**

SIZE	C	D	E	F	G
1 1/4"	.59	1.188	1.15	2.313	7/16-14NC
1 1/2"	.70	1.406	1.37	2.750	1/2-13NC
2"	.84	1.688	1.53	3.062	1/2-13NC
2 1/2"	1.00	2.000	1.75	3.500	1/2-13NC
3"	1.21	2.438	2.09	4.188	5/8-11NC

# FLANGES AVAILABLE



## DIMENSIONAL DATA



### MOUNTING DIMENSIONS

SIZE	A	B	H
E30	1.75	4.33	4.92
E35	1.92	4.51	5.10
E40	2.09	4.68	5.27
E45	2.28	4.87	5.46
E50	2.45	5.04	5.63
E55	2.63	5.22	5.81
E66	3.05	5.64	6.23
E77	3.42	6.01	6.60
E95	3.00	6.68	7.27

FOR METRIC DIMENSIONS  
MULTIPLY 25.4 X IN. = mm

CONSULT FACTORY FOR  
COMMON SUCTION OPTIONS

OTHER PORT TYPES AVAILABLE  
CONSULT FACTORY

### MODEL EXAMPLE

**E 30-30 R - 1 C**

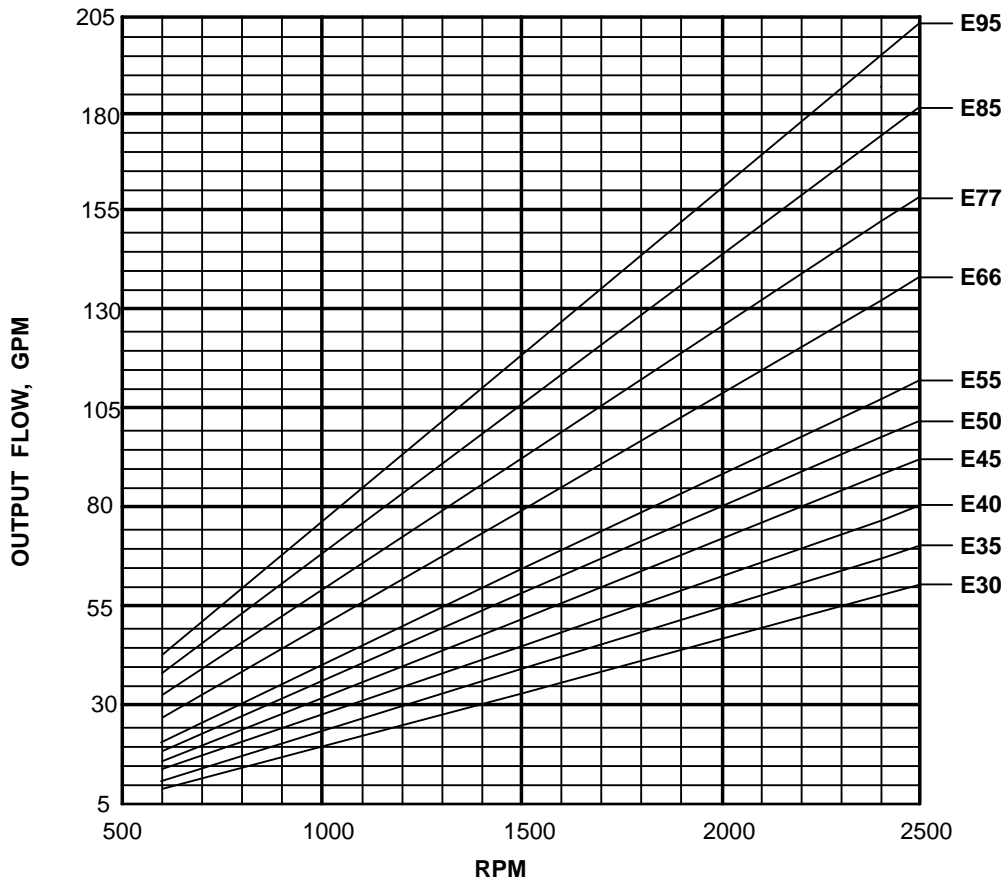
SERIES → SIZE → ROTATION → FLANGE → SHAFT →

R=CLOCKWISE  
L=COUNTERCLOCKWISE

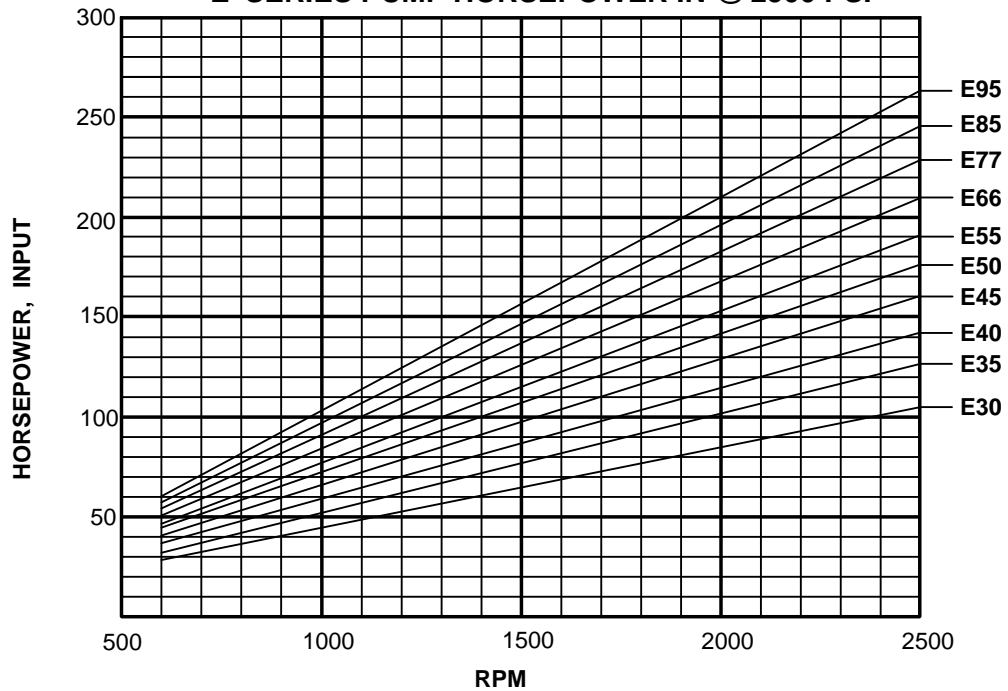
# TYPICAL PERFORMANCE DATA

SAE 10W OIL @ 150° (150 SSU)

## 'E' SERIES TYPICAL PUMP FLOW @ 2500 PSI



## 'E' SERIES PUMP HORSEPOWER IN @ 2500 PSI







HYDRAULIC GEAR PUMPS AND MOTORS

# 'EB' Series

PIGGY-BACK



## Performance Data

MODEL SIZE	DISPLACEMENT/REVOLUTION (THEORETICAL)			MINIMUM RPM	MAXIMUM RPM	MAXIMUM PRESSURE	
	U.S. GALLONS	CUBIC INCHES	CUBIC CENT.			PSI	BAR
EB30	.0258	5.98	98.0	600	2500	4000	276
EB35	.0300	6.93	113.5	600	2500	4000	276
EB40	.0342	7.90	129.4	600	2500	4000*	276
EB45	.0386	8.92	146.2	600	2500	4000*	276
EB50	.0427	9.86	161.6	600	2500	3800*	262
EB55	.0470	10.86	178.0	600	2500	3400*	234
EB66	.0570	13.17	215.9	600	2500	2900*	200
EB77	.0658	15.20	249.2	600	2500	2500*	172
EB95	.0818	18.91	309.8	600	2500	2000*	138

\* CONSULT FACTORY WITH TYPE APPLICATION

- CAST IRON THROUGHOUT
- PRESSURES TO 4000 PSI
- FLOWS TO 204 GPM
- HEAVY DUTY SLEEVE TYPE BEARINGS
- DOUBLE VITON® SHAFT SEALS STANDARD
- PRESSURE COMPENSATED THRUST PLATES
- DESIGNED FOR HEAVY DUTY APPLICATIONS
- SINGLE AND MULTI-STAGE CONFIGURATIONS

- VARIOUS SHAFT, FLANGE AND PORT OPTIONS
- PRECISION GEARS MACHINED FROM SOLID BAR STOCK
- COMPATIBLE WITH MOST FIRE RESISTANT FLUIDS
- CONTAMINANT RESISTANT
- COMPUTER DESIGNED AND MANUFACTURED
- QUALITY CERTIFIED
- FLEXIBLE DESIGN FOR NEW OR OEM REPLACEMENTS
- SERVICE SUPPORTED BY DEDICATION AND INVENTORY

P. O. BOX 2160, 1506 FULTON DR.  
CORINTH, MISSISSIPPI 38835

Phone: 662/286-2252 Fax: 662/287-6580 E-mail: [haisales@geartek.com](mailto:haisales@geartek.com) Http: [www.geartek.com](http://www.geartek.com)

# SHAFTS AVAILABLE

**1**

**1 1/4"-14 TOOTH SPLINE**  
TORQUE LIMIT 650 FT/LBS

**SPLINE DATA**

DIAMETRAL PITCH	12/24
PRESSURE ANGLE	30°
NO. OF TEETH	14
MINOR DIA.	1.062-1.050

1.229  
1.223  
DIA.  
1.65  
FULL SPLINE  
2.19  
FLG. MTG. SURFACE

**7**

**1 1/2" STRAIGHT**  
TORQUE LIMIT 1180 FT/LBS

**8**

E55 & E77 ONLY

3/8"x3/8"x1 1/2" KEY  
1.499  
1.498  
DIA.  
2.94 - NO. 7  
5.00 - NO. 8  
FLG. MTG. SURFACE

**6**

**1 1/2"-17 TOOTH SPLINE**  
TORQUE LIMIT 1180 FT/LBS

**SPLINE DATA**

DIAMETRAL PITCH	12/24
PRESSURE ANGLE	30°
NO. OF TEETH	17
MINOR DIA.	1.290-1.300

1.480-1.474  
DIA.  
1.93  
FULL SPLINE  
2.88  
FLG. MTG. SURFACE

**9**

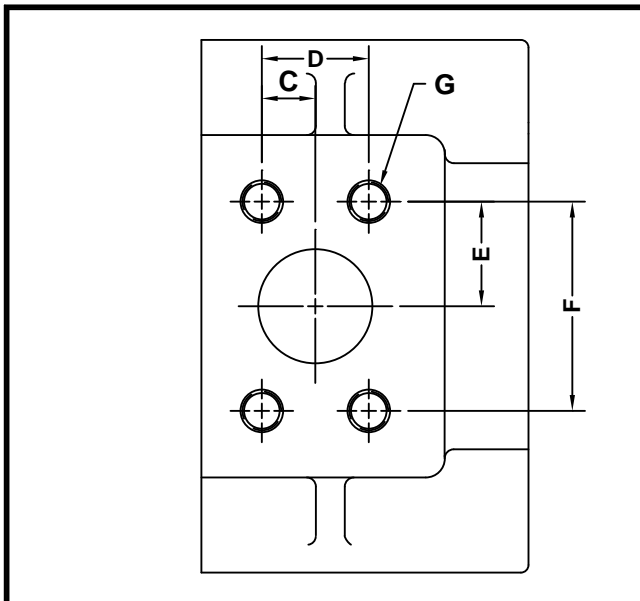
**1 1/2"-14 TOOTH SPLINE**  
TORQUE LIMIT 1180 FT/LBS

**SPLINE DATA**

DIAMETRAL PITCH	10/20
PRESSURE ANGLE	30°
NO. OF TEETH	14
MINOR DIA.	1.251-1.271

1.480-1.474  
DIA.  
1.93  
FULL SPLINE  
2.88  
FLG. MTG. SURFACE

# STANDARD SAE 4-BOLT CONNECTOR PORTS



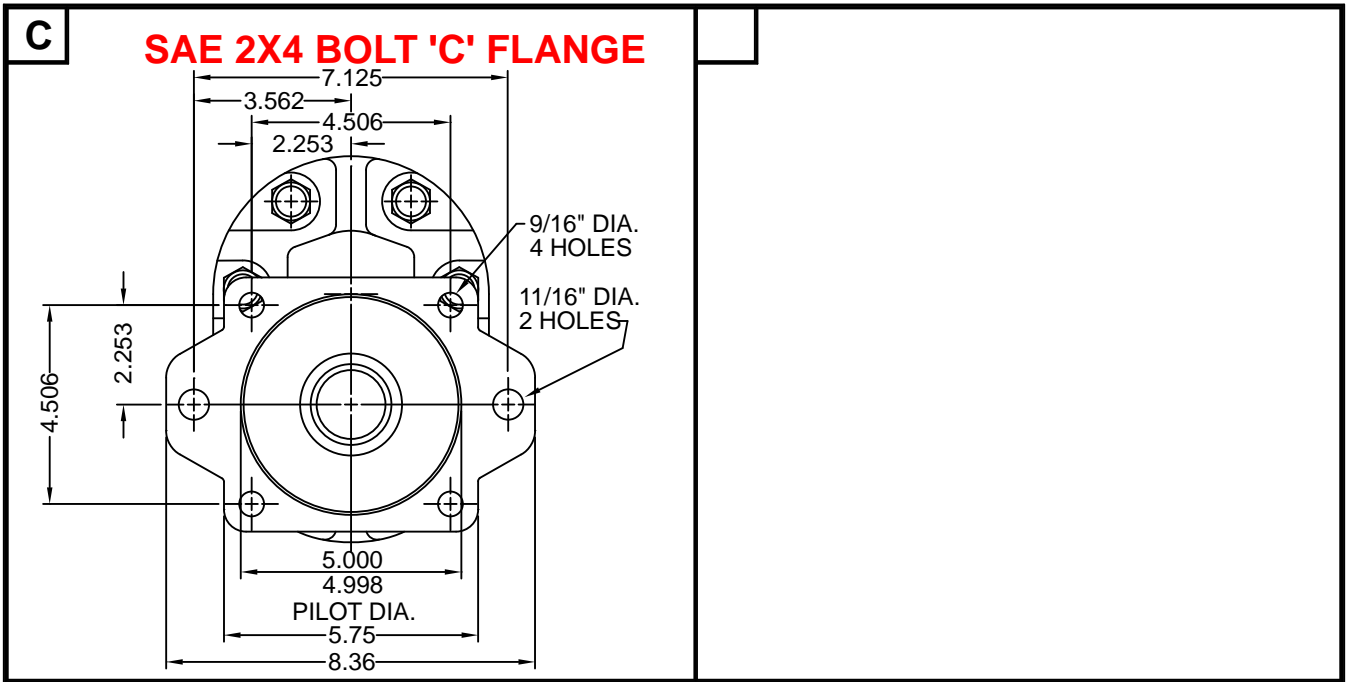
**SAE 4-BOLT CONN. PORTS**

SIZE	INLET SIZE	OUTLET SIZE
E30	2 1/2"	1 1/4"
E35	2 1/2"	1 1/4"
E40	2 1/2"	1 1/4"
E45	2 1/2"	1 1/4"
E50	2 1/2"	1 1/2"
E55	2 1/2"	1 1/2"
E66	2 1/2"	1 1/2"
E77	2 1/2"	1 1/2"
E95	3"	2"

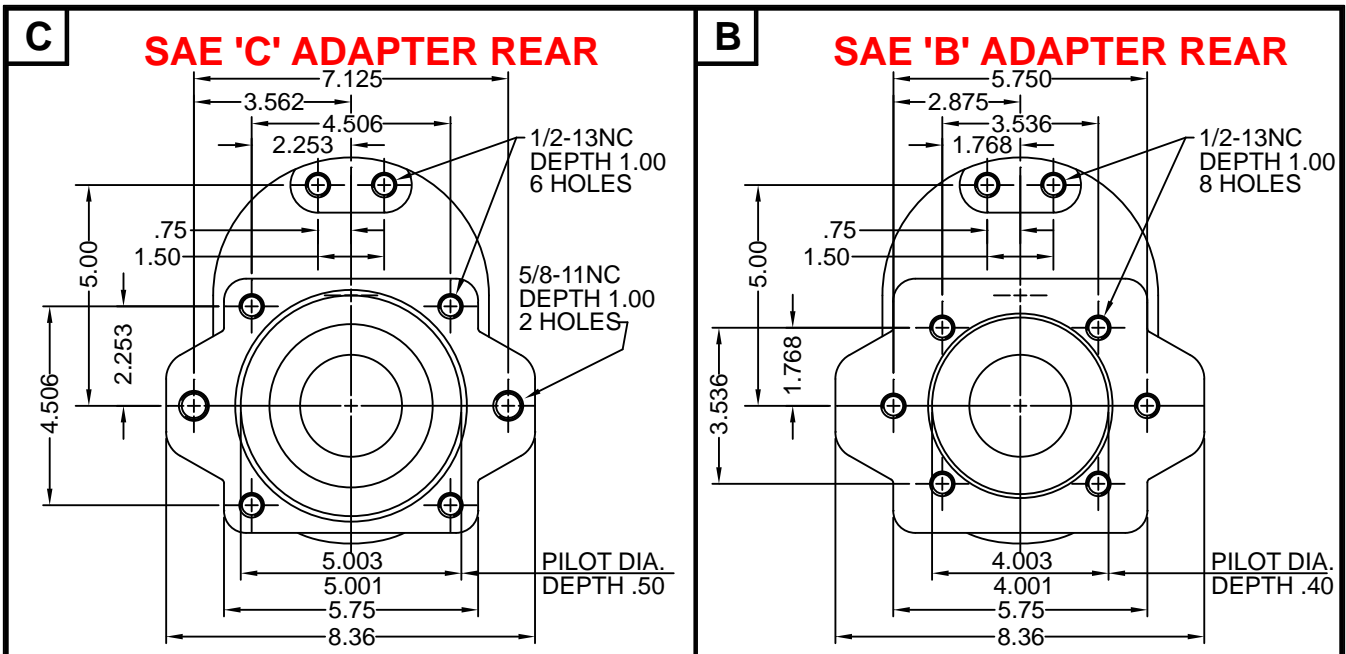
**4-BOLT CONNECTOR CHART**

SIZE	C	D	E	F	G
1 1/4"	.59	1.188	1.15	2.313	7/16-14NC
1 1/2"	.70	1.406	1.37	2.750	1/2-13NC
2"	.84	1.688	1.53	3.062	1/2-13NC
2 1/2"	1.00	2.000	1.75	3.500	1/2-13NC
3"	1.21	2.438	2.09	4.188	5/8-11NC

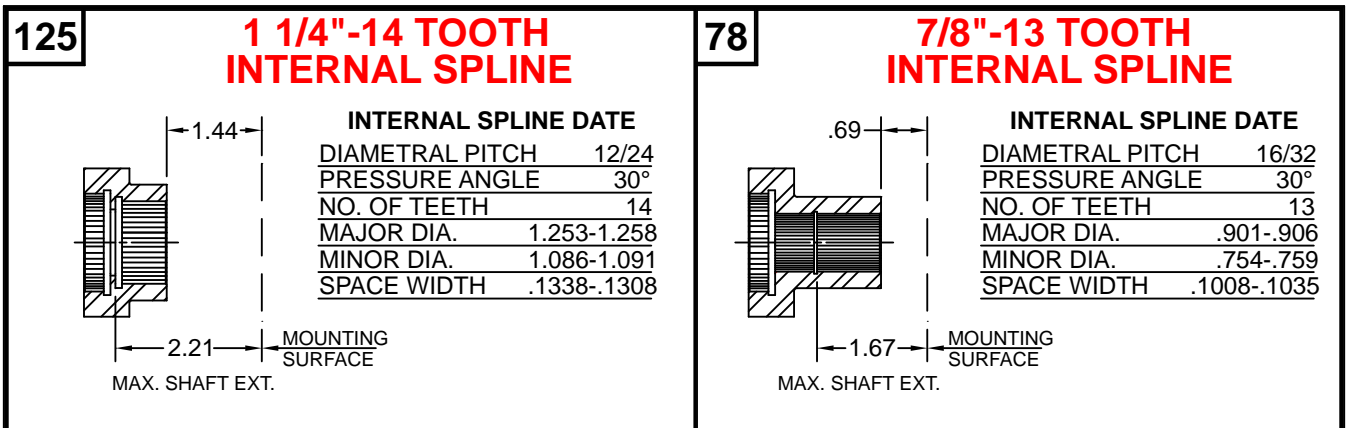
## FLANGES AVAILABLE



## REAR ADAPTERS AVAILABLE



## REAR COUPLINGS AVAILABLE

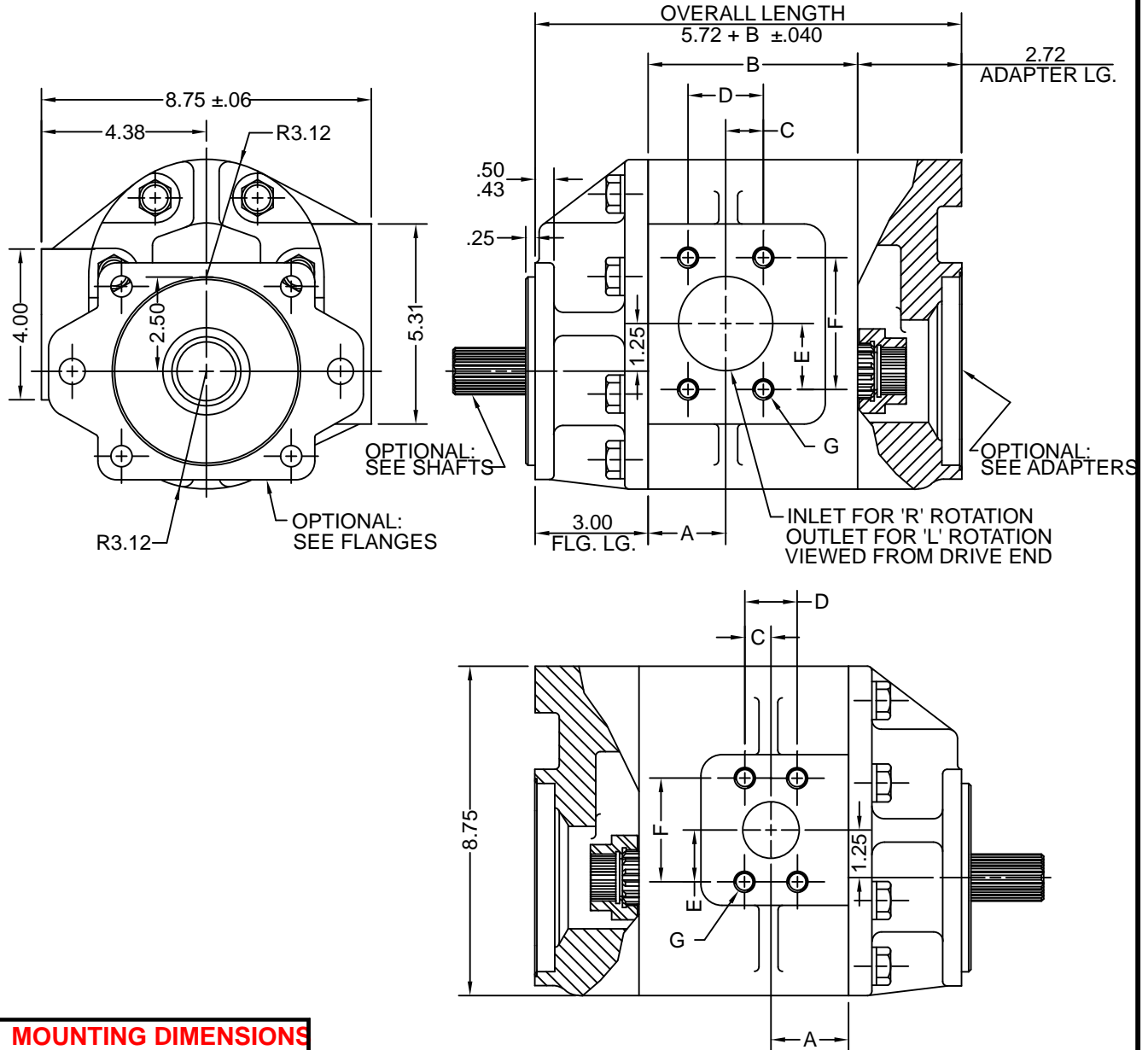


# DIMENSIONAL DATA

## MODEL EXAMPLE

**EB 55 R - 1 C - C 125 -**

SERIES — EB  
 SIZE — 55  
 ROTATION — R  
 R=CLOCKWISE  
 L=COUNTERCLOCKWISE  
 SHAFT — 1  
 FLANGE — C  
 COUPLING — C  
 ADAPTER REAR MOUNT — 125  
 REAR PUMP AS REQUIRED



### MOUNTING DIMENSIONS

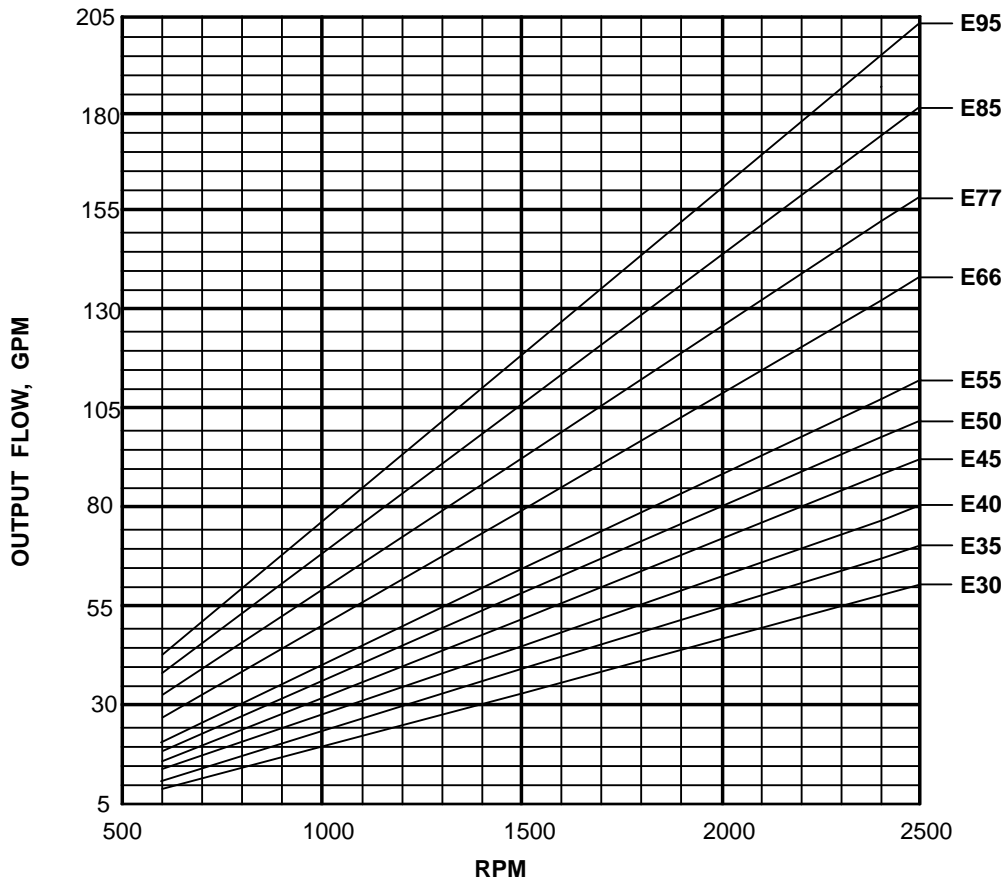
SIZE	A	B
E30	1.75	4.33
E35	1.92	4.51
E40	2.09	4.68
E45	2.28	4.87
E50	2.45	5.04
E55	2.63	5.22
E66	3.05	5.64
E77	3.42	6.01
E95	3.00	6.68

FOR METRIC DIMENSIONS  
MULTIPLY 25.4 X IN. = mm

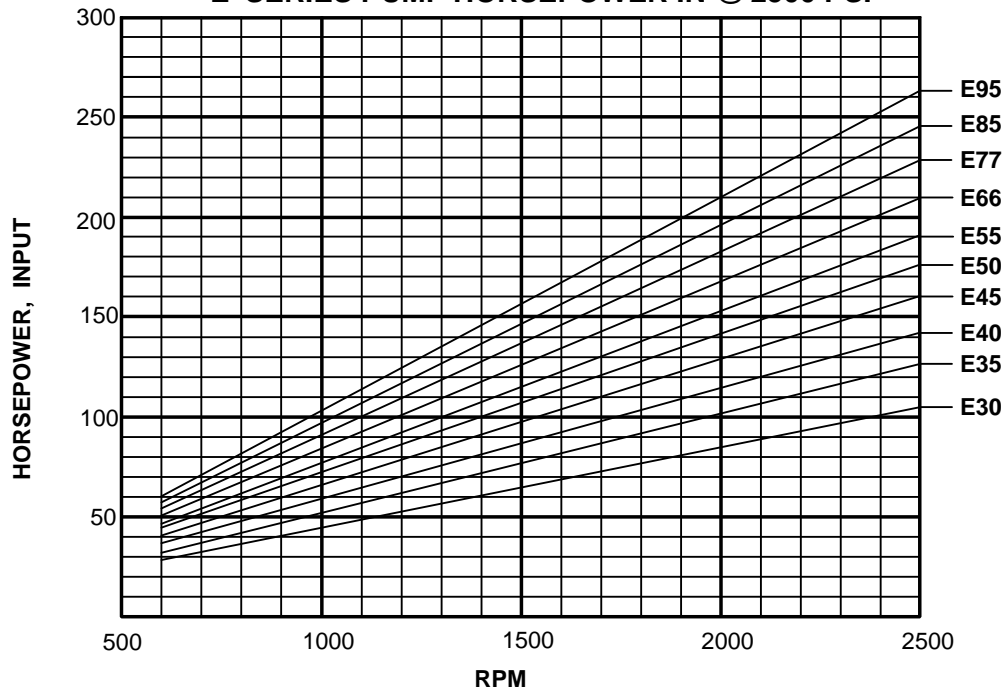
# TYPICAL PERFORMANCE DATA

SAE 10W OIL @ 150° (150 SSU)

## 'E' SERIES TYPICAL PUMP FLOW @ 2500 PSI



## 'E' SERIES PUMP HORSEPOWER IN @ 2500 PSI





**Performance  
Data**

MODEL SIZE	DISPLACEMENT/REVOLUTION (THEORETICAL)			MINIMUM RPM	MAXIMUM RPM	MAXIMUM PRESSURE	
	U.S. GALLONS	CUBIC INCHES	CUBIC CENT.			PSI	BAR
E30	.0258	5.98	98.0	600	2500	4000	276
E35	.0300	6.93	113.5	600	2500	4000	276
E40	.0342	7.90	129.4	600	2500	4000*	276
E45	.0386	8.92	146.2	600	2500	4000*	276
E50	.0427	9.86	161.6	600	2500	3800*	262
E55	.0470	10.86	178.0	600	2500	3400*	234
E66	.0570	13.17	215.9	600	2500	2900*	200
E77	.0658	15.20	249.2	600	2500	2500*	172
D15	.0129	2.98	48.8	600	2500	3500	241
D20	.0172	3.97	65.1	600	2500	3500	241
D25	.0215	4.97	81.4	600	2500	3000	207
D30	.0258	5.96	97.6	600	2500	2500	172
D35	.0301	6.95	113.9	600	2500	2500*	172

\* CONSULT FACTORY WITH TYPE APPLICATION

- CAST IRON THROUGHOUT
- PRESSURES TO 4000 PSI
- FLOWS TO 164 GPM
- HEAVY DUTY SLEEVE TYPE BEARINGS
- DOUBLE VITON® SHAFT SEALS STANDARD
- PRESSURE COMPENSATED THRUST PLATES
- DESIGNED FOR HEAVY DUTY APPLICATIONS
- MULTI-STAGE CONFIGURATIONS
- VARIOUS SHAFT, FLANGE AND PORT OPTIONS
- PRECISION GEARS MACHINED FROM SOLID BAR STOCK
- COMPATIBLE WITH MOST FIRE RESISTANT FLUIDS
- CONTAMINANT RESISTANT
- COMPUTER DESIGNED AND MANUFACTURED
- QUALITY CERTIFIED
- FLEXIBLE DESIGN FOR NEW OR OEM REPLACEMENTS
- SERVICE SUPPORTED BY DEDICATION AND INVENTORY

P. O. BOX 2160, 1506 FULTON DR.  
CORINTH, MISSISSIPPI 38835

Phone: 662/286-2252 Fax: 662/287-6580 E-mail: [haisales@geartek.com](mailto:haisales@geartek.com) Http: [www.geartek.com](http://www.geartek.com)

# SHAFTS AVAILABLE

**1**

**1 1/4"-14 TOOTH SPLINE**  
TORQUE LIMIT 650 FT/LBS

**SPLINE DATA**

DIAMETRAL PITCH	12/24
PRESSURE ANGLE	30°
NO. OF TEETH	14
MINOR DIA.	1.062-1.050

1.229  
1.223  
DIA.  
1.65  
FULL SPLINE  
2.19  
FLG. MTG. SURFACE

**7**

**1 1/2" STRAIGHT**  
TORQUE LIMIT 1180 FT/LBS

**8**

E55 & E77 ONLY

3/8"x3/8"x1/2" KEY  
1.499  
1.498  
DIA.  
2.94 - NO. 7  
5.00 - NO. 8  
FLG. MTG. SURFACE

**6**

**1 1/2"-17 TOOTH SPLINE**  
TORQUE LIMIT 1180 FT/LBS

**SPLINE DATA**

DIAMETRAL PITCH	12/24
PRESSURE ANGLE	30°
NO. OF TEETH	17
MINOR DIA.	1.290-1.300

1.480-1.474  
DIA.  
1.93  
FULL SPLINE  
2.88  
FLG. MTG. SURFACE

**9**

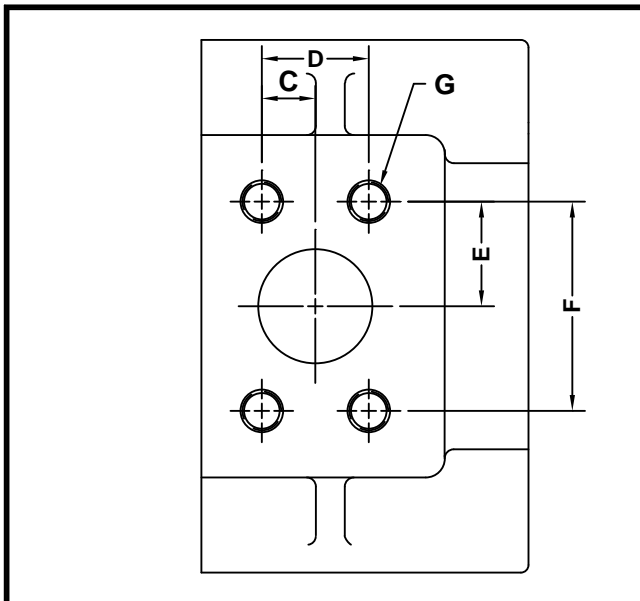
**1 1/2"-14 TOOTH SPLINE**  
TORQUE LIMIT 1180 FT/LBS

**SPLINE DATA**

DIAMETRAL PITCH	10/20
PRESSURE ANGLE	30°
NO. OF TEETH	14
MINOR DIA.	1.251-1.271

1.480-1.474  
DIA.  
1.93  
FULL SPLINE  
2.88  
FLG. MTG. SURFACE

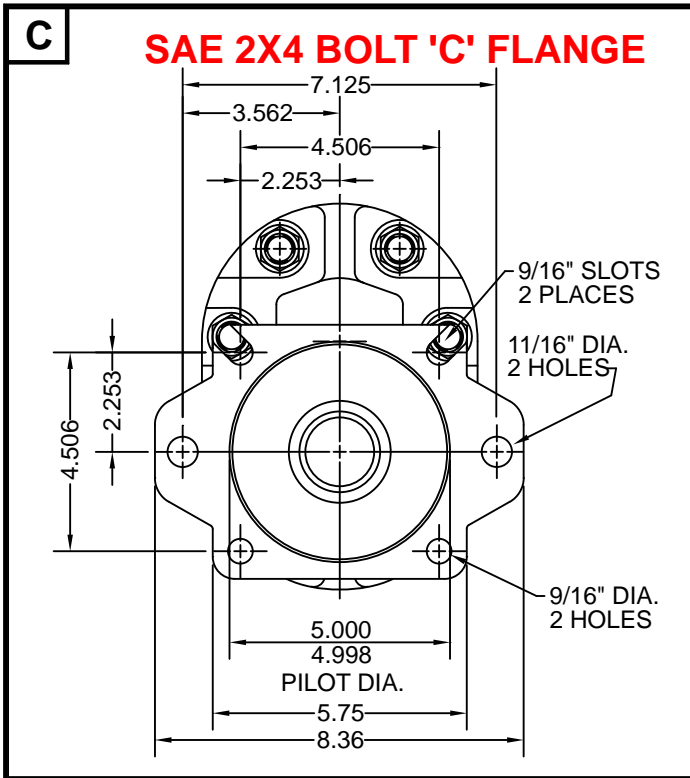
# STANDARD SAE 4-BOLT CONNECTOR PORTS



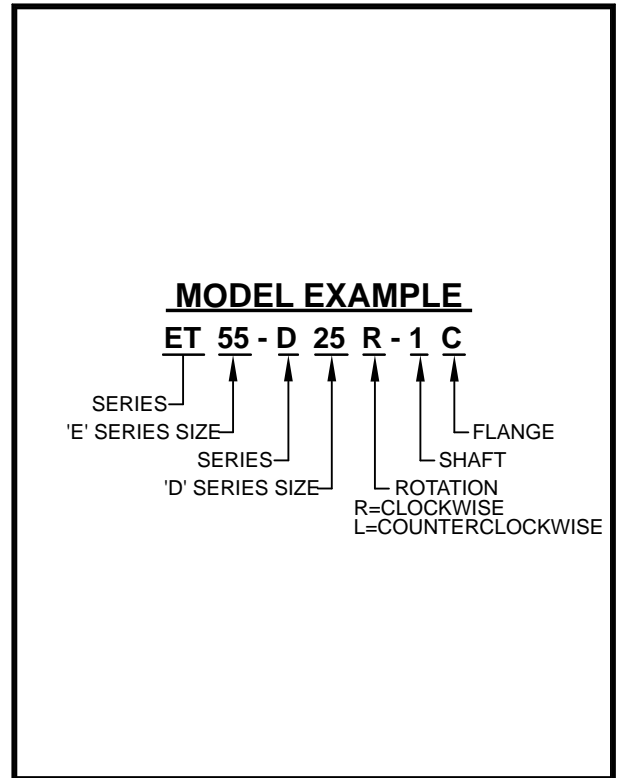
SAE 4-BOLT CONN. PORTS		
SIZE	INLET SIZE	OUTLET SIZE
E30	2 1/2"	1 1/4"
E35	2 1/2"	1 1/4"
E40	2 1/2"	1 1/4"
E45	3"	1 1/4"
E50	3"	1 1/2"
E55	3"	1 1/2"
E66	3"	1 1/2"
E77	3"	1 1/2"
D15	-	1"
D20	-	1"
D25	-	1 1/4"
D30	-	1 1/4"
D35	-	1 1/4"

4-BOLT CONNECTOR CHART					
SIZE	C	D	E	F	G
1"	.51	1.031	1.03	2.062	3/8-16NC
1 1/4"	.59	1.188	1.15	2.313	7/16-14NC
1 1/2"	.70	1.406	1.37	2.750	1/2-13NC
2 1/2"	1.00	2.000	1.75	3.500	1/2-13NC
3"	1.21	2.438	2.09	4.188	5/8-11NC

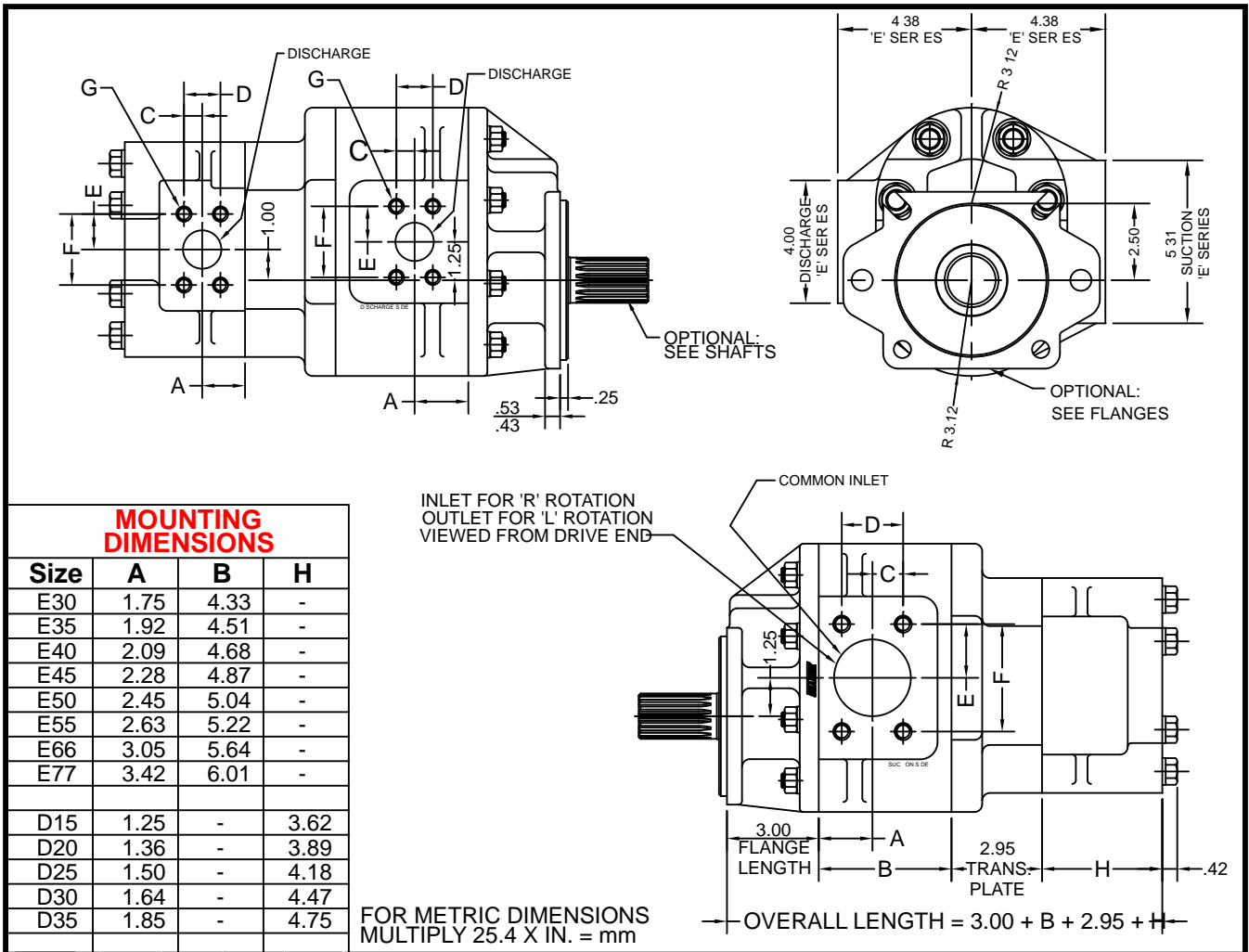
## FLANGE AVAILABLE



## MODEL EXAMPLE



## DIMENSIONAL DATA

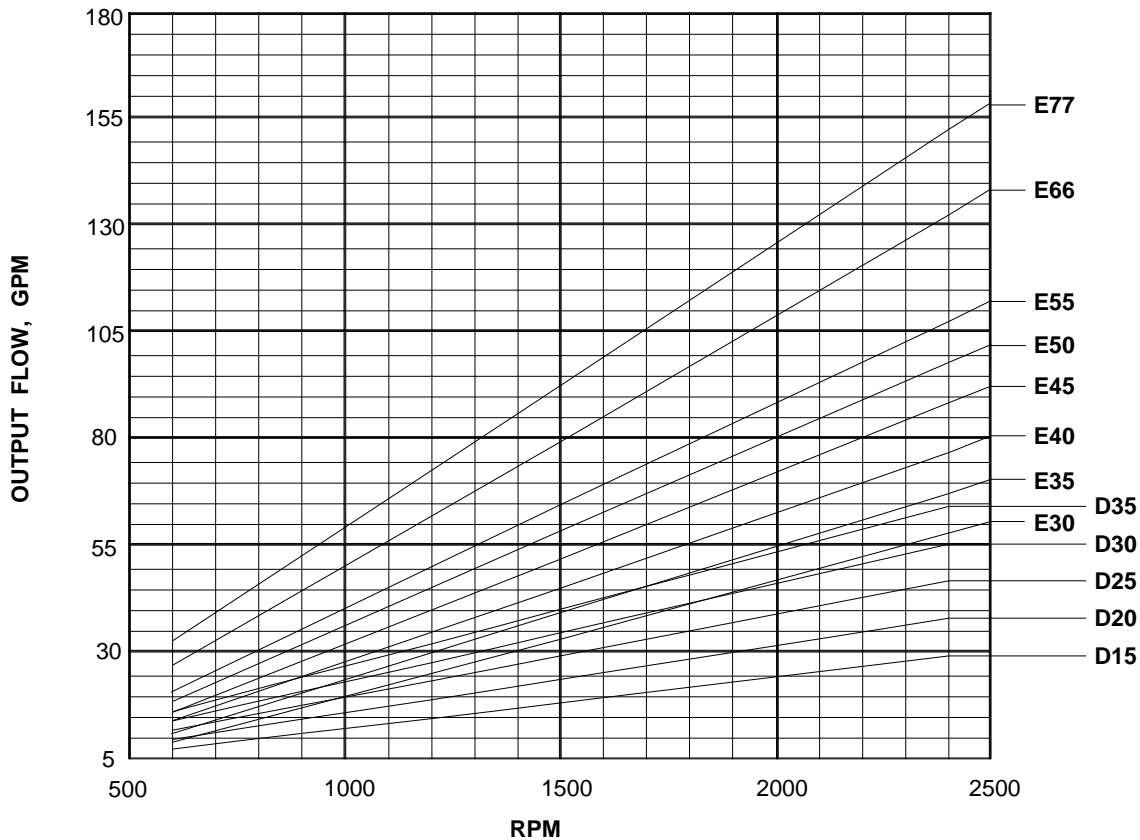




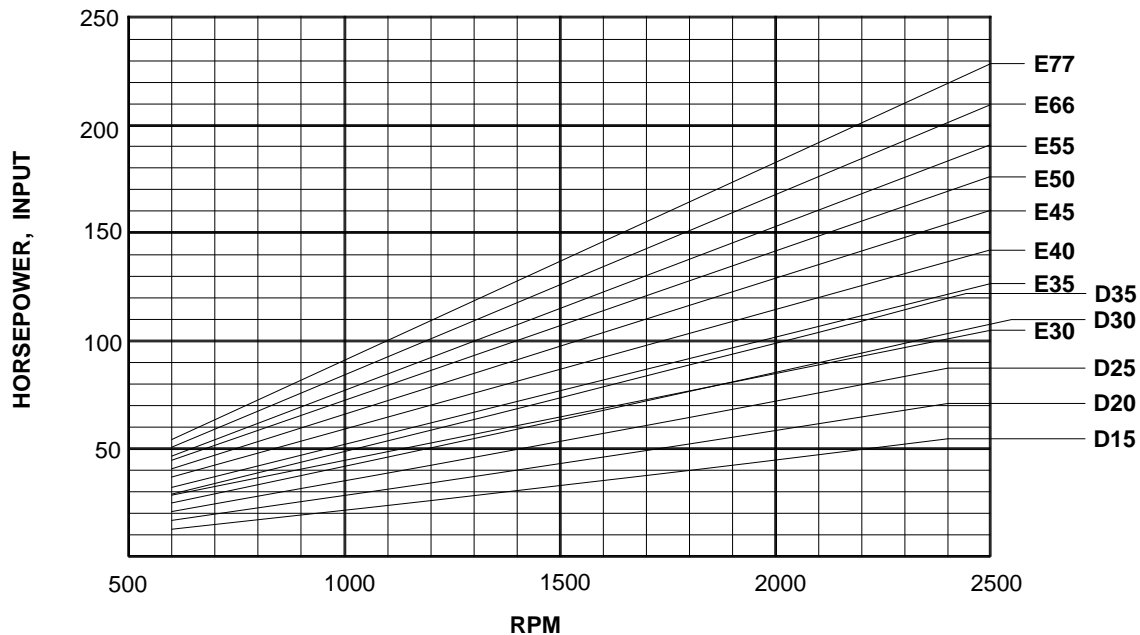
# TYPICAL PERFORMANCE DATA

SAE 10W OIL @ 150° (150 SSU)

## 'ETD' SERIES TYPICAL PUMP FLOW @ 2500 PSI



## 'ETD' SERIES PUMP HORSEPOWER IN @ 2500 PSI



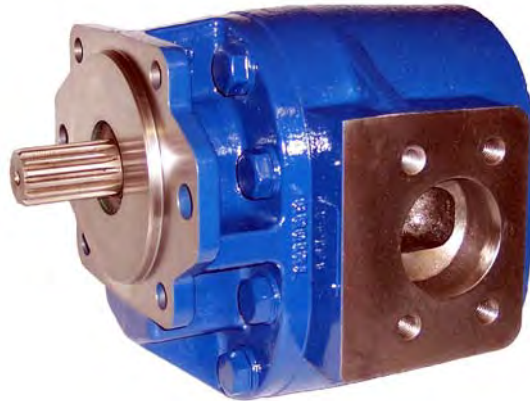


HYDRAULIC GEAR PUMPS AND MOTORS

# 'ME' Series

SINGLE MOTOR

BI-DIRECTIONAL



## Performance Data

MODEL SIZE	DISPLACEMENT/REVOLUTION (THEORETICAL)			MIN. RPM	MAX. RPM	MAXIMUM PRESSURE		IN/LB. TORQUE @ 2500 PSI		HP @ 2500 RPM 2500 PSI
	U.S. GALLONS	CUBIC INCHES	CUBIC CENT.			PSI	BAR	START	RUN	
ME30	.0258	5.98	98.0	600	2500	2500	172	1520	2181	74
ME35	.0300	6.93	113.5	600	2500	2500	172	1800	2561	90
ME40	.0342	7.90	129.4	600	2500	2500	172	2050	2940	105
ME45	.0386	8.92	146.2	600	2500	2500	172	2350	3320	124
ME50	.0427	9.86	161.6	600	2500	2500	172	2950	3600	132
ME55	.0470	10.86	178.0	600	2500	2500	172	3500	4000	150
ME66	.0570	13.17	215.9	600	2500	2500	172	4400	4900	170
ME77	.0658	15.20	249.2	600	2500	2500	172	4550	5500	200
ME95	.0819	18.91	309.9	600	2000	2000	138	4996	6019	203

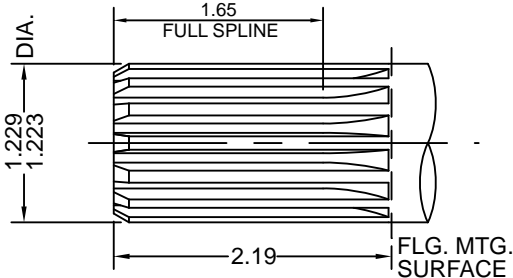
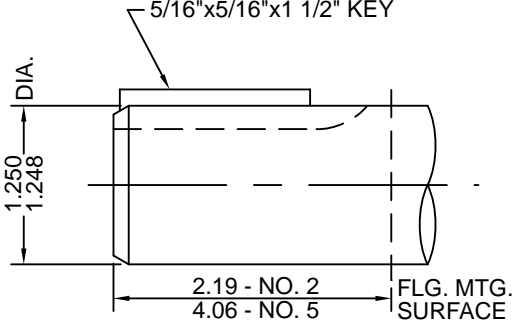
- CAST IRON THROUGHOUT
- PRESSURES TO 4000 PSI
- FLOWS TO 204 GPM
- HEAVY DUTY SLEEVE TYPE BEARINGS
- DOUBLE VITON® SHAFT SEALS STANDARD
- PRESSURE COMPENSATED THRUST PLATES
- DESIGNED FOR HEAVY DUTY APPLICATIONS
- SINGLE AND MULTI-STAGE CONFIGURATIONS

- VARIOUS SHAFT, FLANGE AND PORT OPTIONS
- PRECISION GEARS MACHINED FROM SOLID BAR STOCK
- COMPATIBLE WITH MOST FIRE RESISTANT FLUIDS
- CONTAMINANT RESISTANT
- COMPUTER DESIGNED AND MANUFACTURED
- QUALITY CERTIFIED
- FLEXIBLE DESIGN FOR NEW OR OEM REPLACEMENTS
- SERVICE SUPPORTED BY DEDICATION AND INVENTORY

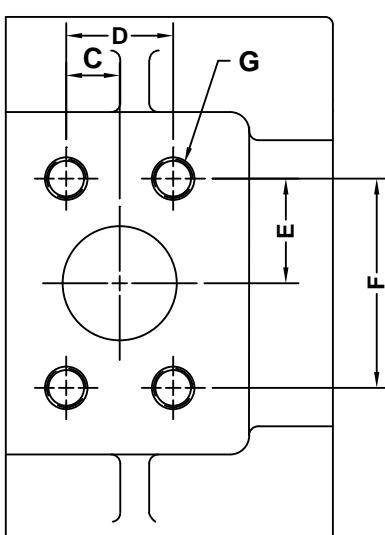
P. O. BOX 2160, 1506 FULTON DR.  
CORINTH, MISSISSIPPI 38835

Phone: 662/286-2252 Fax: 662/287-6580 E-mail: [haisales@geartek.com](mailto:haisales@geartek.com) Http: [www.geartek.com](http://www.geartek.com)

## SHAFTS AVAILABLE

<div style="border: 1px solid black; padding: 5px; margin-bottom: 5px;"> <b style="font-size: 1.2em;">1</b> </div> <h3 style="color: red; margin: 0;">1 1/4"-14 TOOTH SPLINE</h3> <p style="margin: 0;">TORQUE LIMIT 650 FT/LBS</p> <p style="text-align: center; margin: 0;"><b>SPLINE DATA</b></p> <table style="width: 100%; border-collapse: collapse; margin: 0;"> <tr><td style="border-bottom: 1px solid black;">DIAMETRAL PITCH</td><td style="border-bottom: 1px solid black;">12/24</td></tr> <tr><td style="border-bottom: 1px solid black;">PRESSURE ANGLE</td><td style="border-bottom: 1px solid black;">30°</td></tr> <tr><td style="border-bottom: 1px solid black;">NO. OF TEETH</td><td style="border-bottom: 1px solid black;">14</td></tr> <tr><td style="border-bottom: 1px solid black;">MINOR DIA.</td><td style="border-bottom: 1px solid black;">1.062-1.050</td></tr> </table> 	DIAMETRAL PITCH	12/24	PRESSURE ANGLE	30°	NO. OF TEETH	14	MINOR DIA.	1.062-1.050	<div style="border: 1px solid black; padding: 5px; margin-bottom: 5px;"> <b style="font-size: 1.2em;">2</b> </div> <h3 style="color: red; margin: 0;">1 1/4" STRAIGHT</h3> <p style="margin: 0;">TORQUE LIMIT 650 FT/LBS</p> <div style="border: 1px solid black; padding: 5px; margin-bottom: 5px;"> <b style="font-size: 1.2em;">5</b> </div> <p style="margin: 0;">E55, E66, E77 &amp; E95 ONLY</p> 
DIAMETRAL PITCH	12/24								
PRESSURE ANGLE	30°								
NO. OF TEETH	14								
MINOR DIA.	1.062-1.050								

## STANDARD SAE 4-BOLT CONNECTOR PORTS



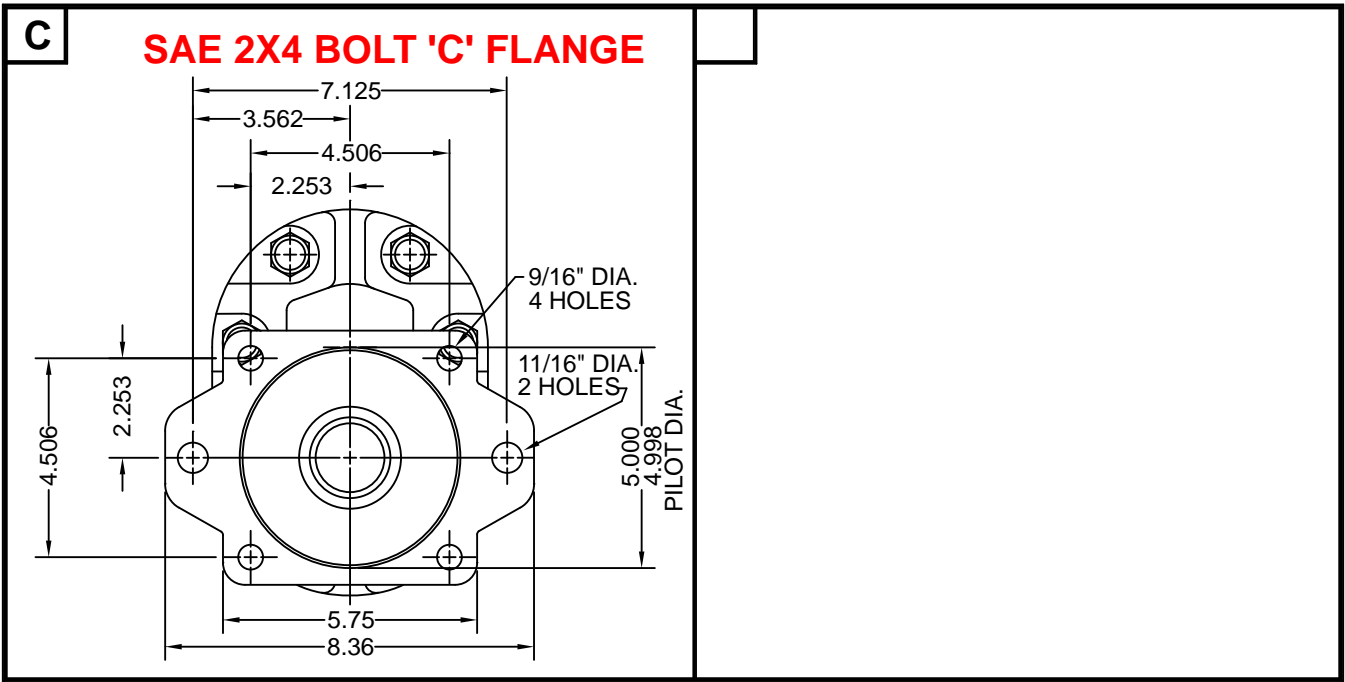
### SAE 4-BOLT CONN. PORTS

SIZE	INLET SIZE	OUTLET SIZE
ME30	2"	2"
ME35	2"	2"
ME40	2"	2"
ME45	2"	2"
ME50	2"	2"
ME55	2"	2"
ME66	2"	2"
ME77	2"	2"
ME95	3"	2"

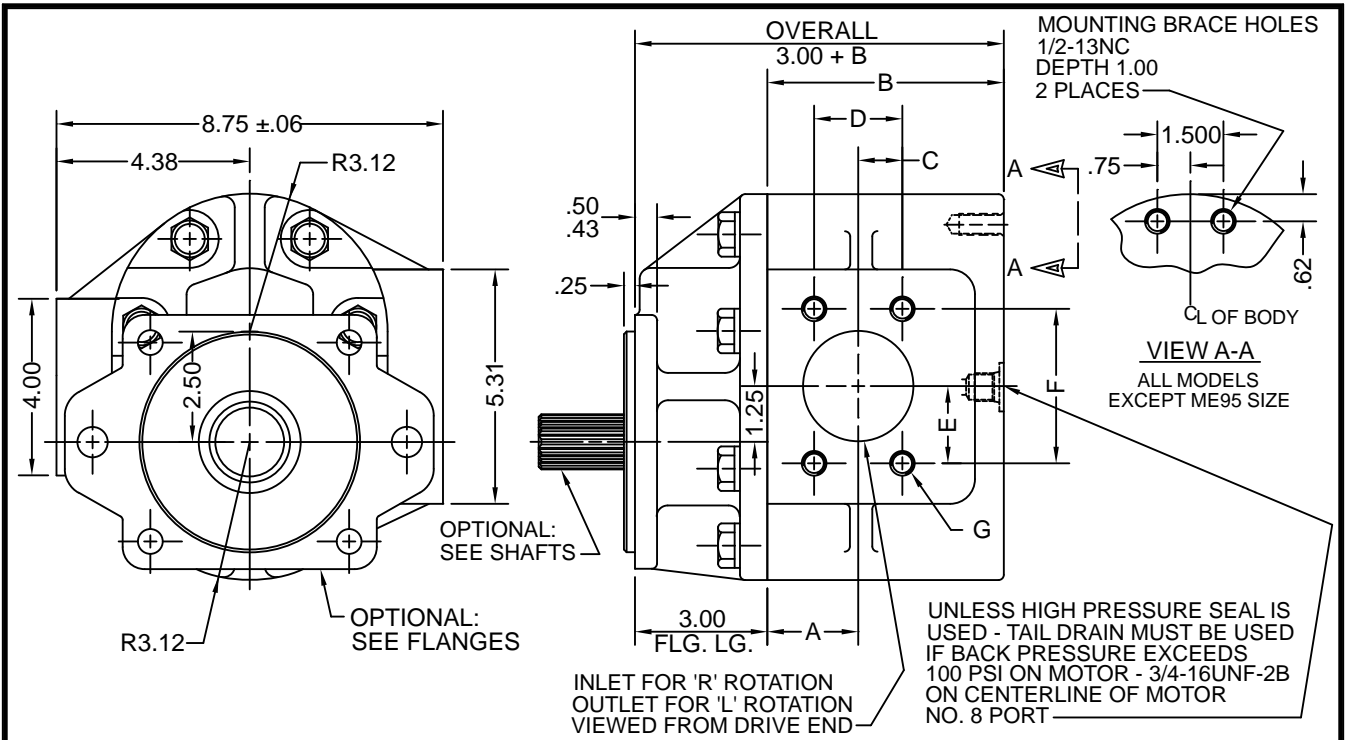
### 4-BOLT CONNECTOR CHART

SIZE	C	D	E	F	G
2"	.84	1.688	1.53	3.062	1/2-13NC
3"	1.22	2.438	2.09	4.188	5/8-11NC

# FLANGES AVAILABLE



# DIMENSIONAL DATA



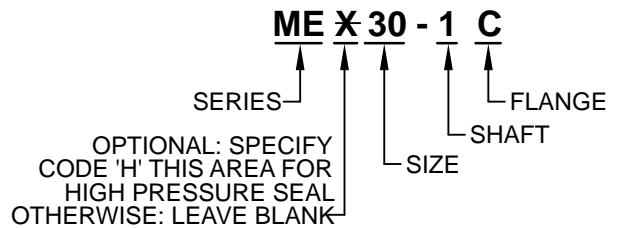
FOR METRIC DIMENSIONS  
MULTIPLY 25.4 X IN. = mm

## MOUNTING DIMENSIONS

SIZE	A	B
ME30	1.75	4.92
ME35	1.92	5.10
ME40	2.09	5.27
ME45	2.28	5.46
ME50	2.45	5.63
ME55	2.63	5.81
ME66	3.05	6.23
ME77	3.42	6.60
ME95	3.00	7.27

\* THE OPTIONAL HIGH PRESSURE SEAL MAY BE USED WHEN DRAIN LINES ARE NOT PRACTICAL. FOR SYSTEMS TOLERATING A DRAIN LINE, ELIMINATE THE 'H' FROM THE MODEL CODE.

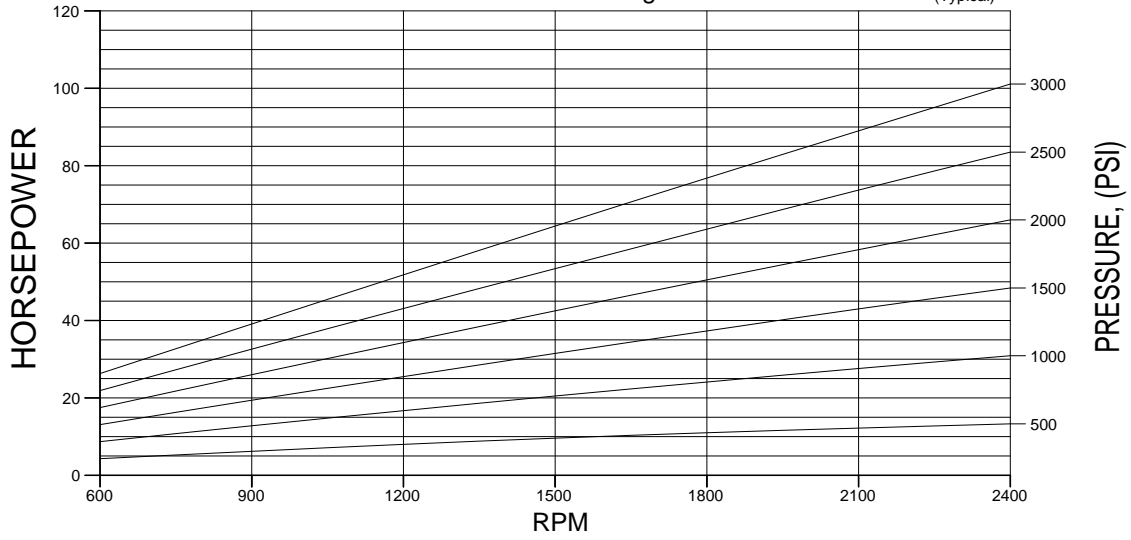
## MODEL EXAMPLE



### GEARTEK ME30 MOTOR PERFORMANCE

SAE 10W oil @ 150 degrees F

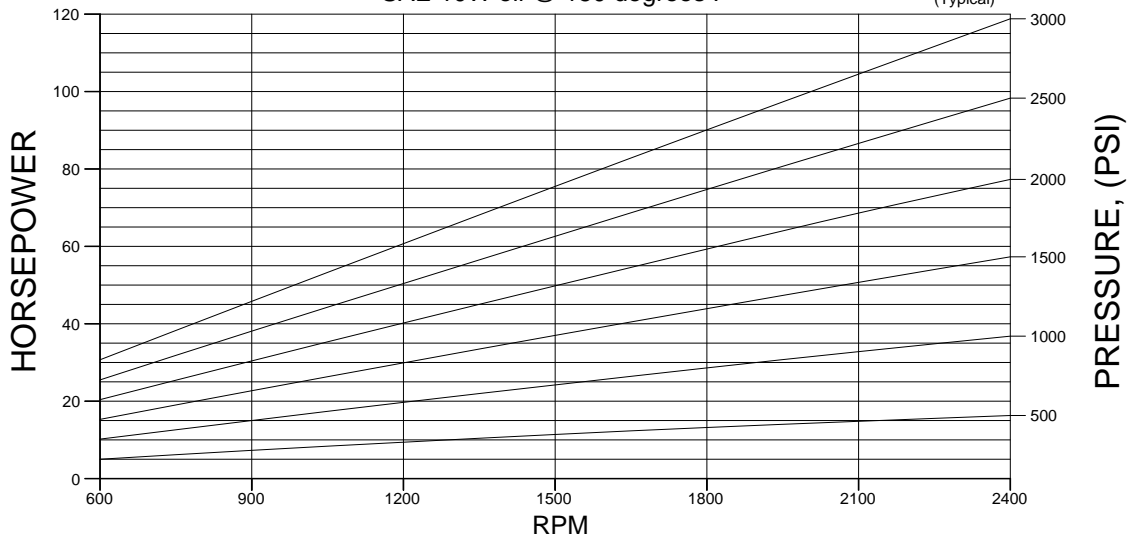
(Typical)



### GEARTEK ME35 MOTOR PERFORMANCE

SAE 10W oil @ 150 degrees F

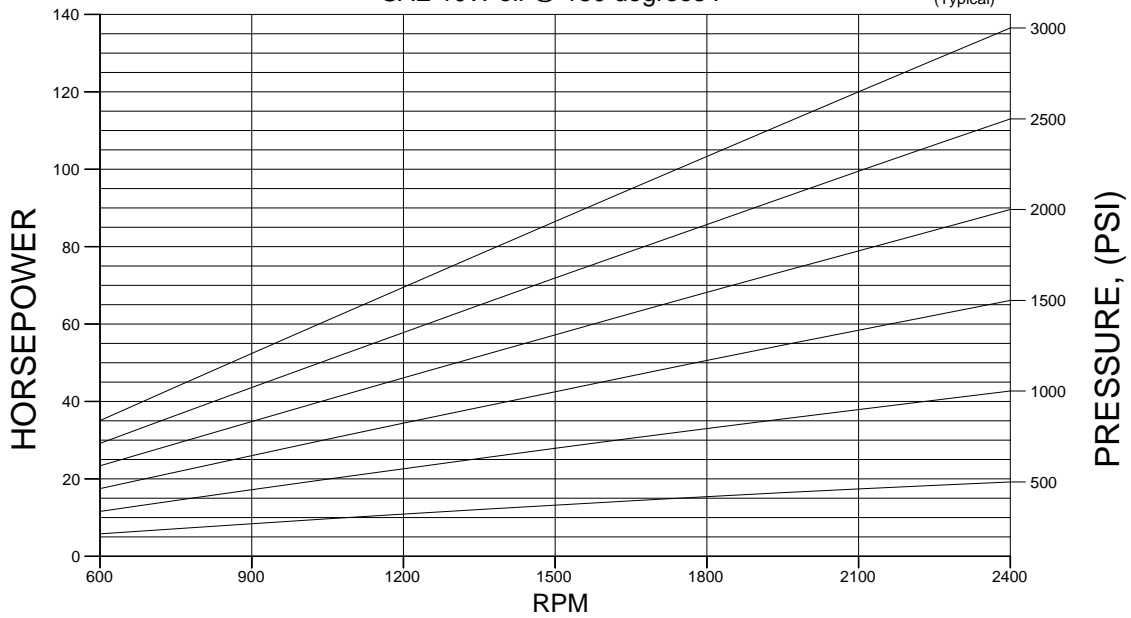
(Typical)



### GEARTEK ME40 MOTOR PERFORMANCE

SAE 10W oil @ 150 degrees F

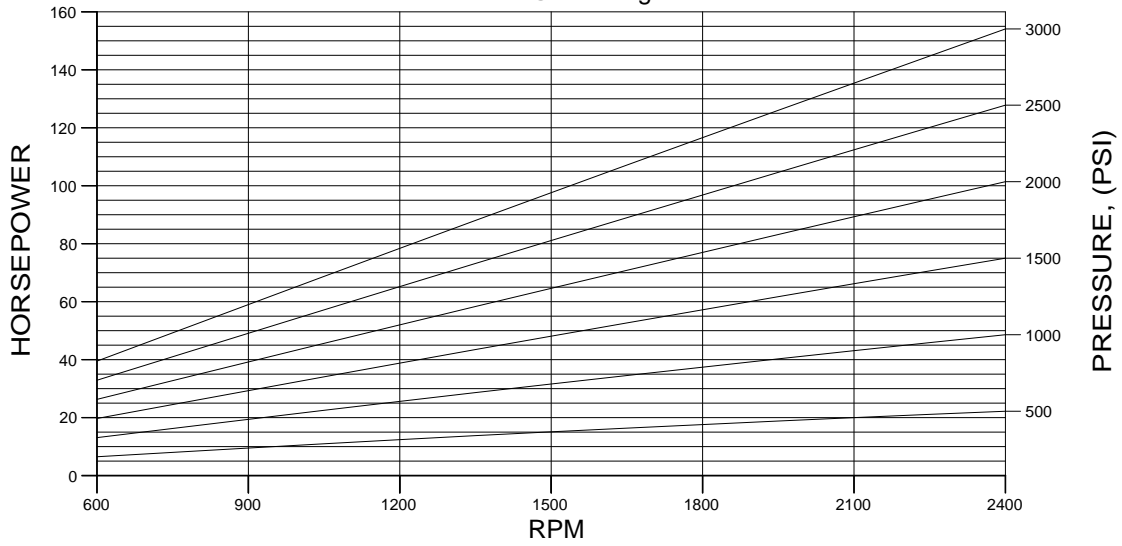
(Typical)



### GEARTEK ME45 MOTOR PERFORMANCE

SAE 10W oil @ 150 degrees F

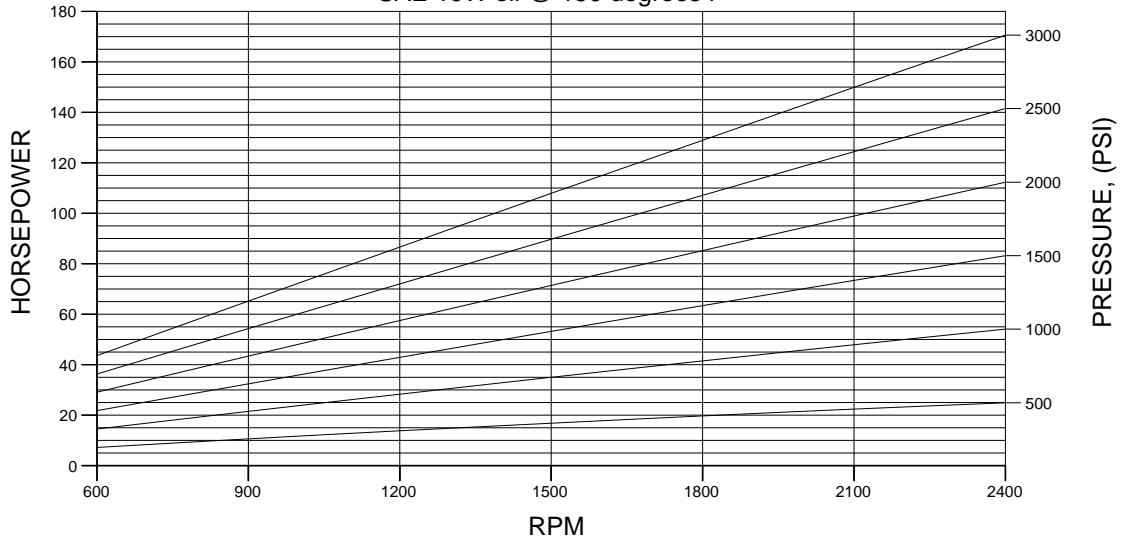
(Typical)



### GEARTEK ME50 MOTOR PERFORMANCE

SAE 10W oil @ 150 degrees F

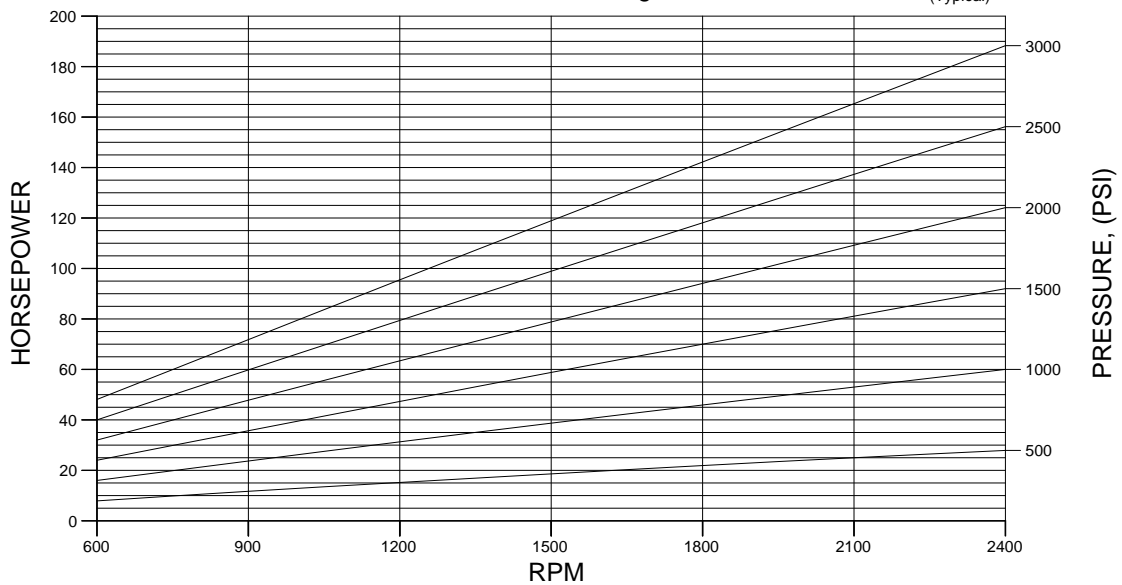
(Typical)



### GEARTEK ME55 MOTOR PERFORMANCE

SAE 10W oil @ 150 degrees F

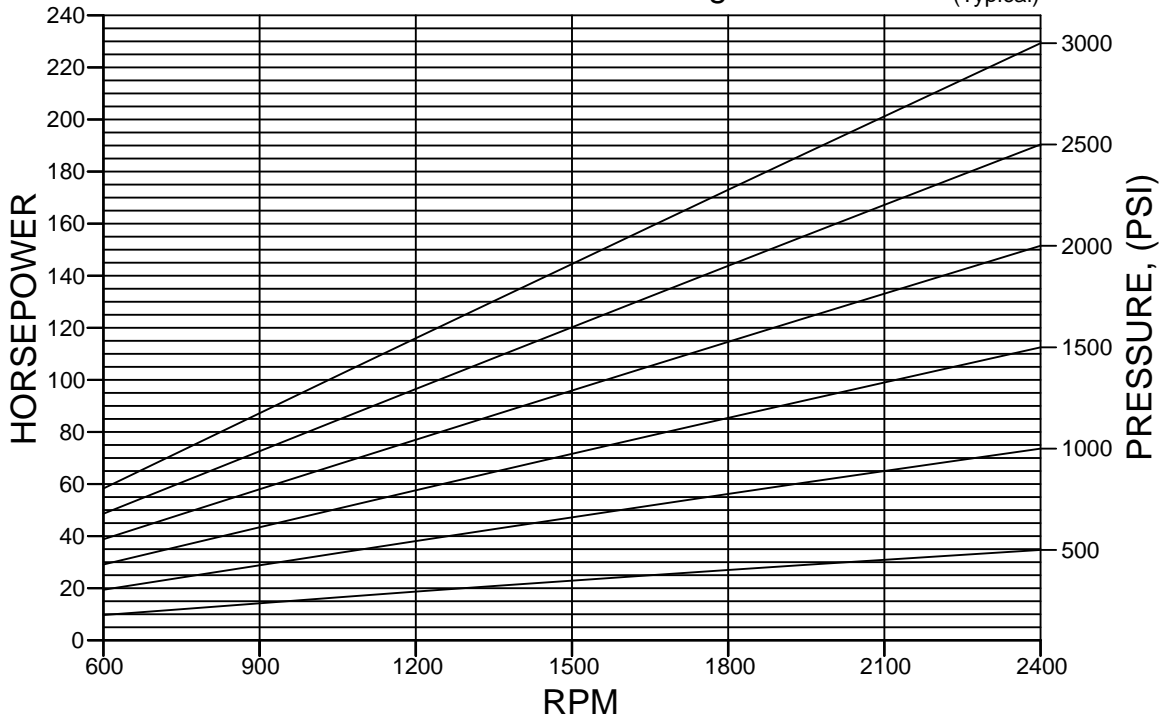
(Typical)



# GEARTEK ME66 MOTOR PERFORMANCE

SAE 10W oil @ 150 degrees F

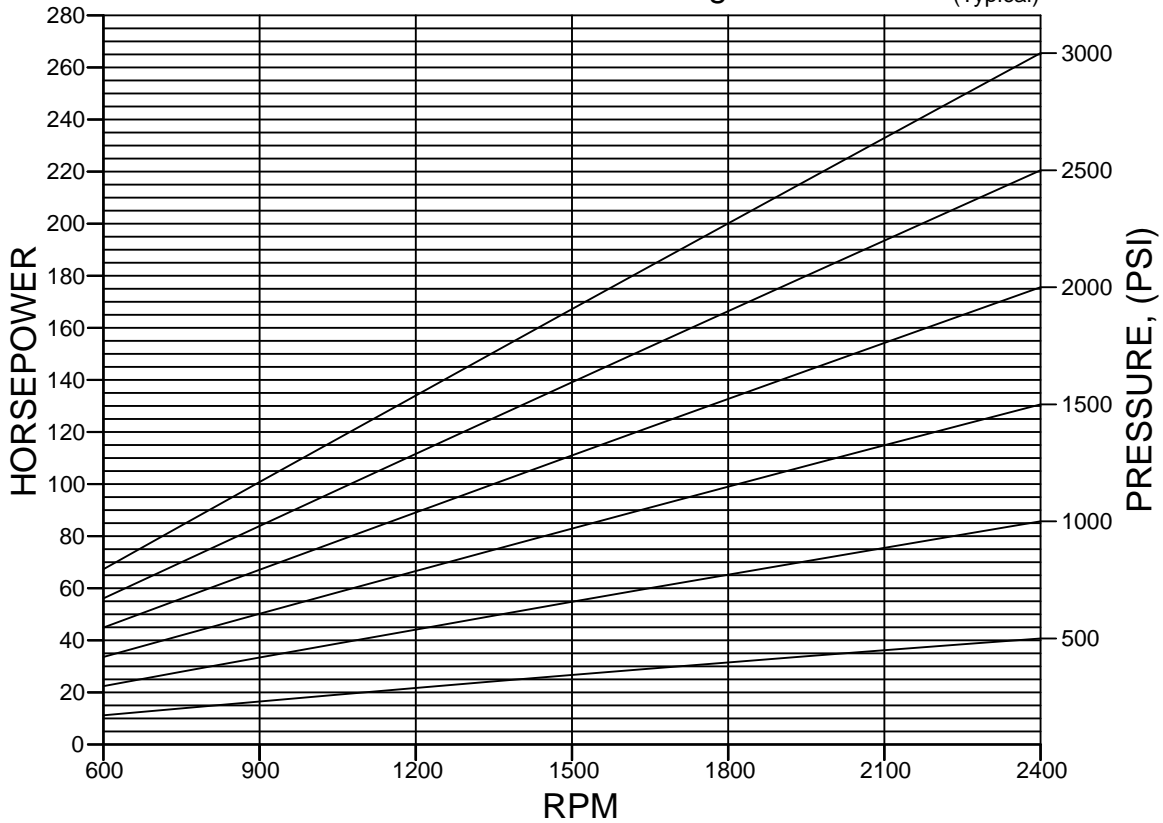
(Typical)



# GEARTEK ME77 MOTOR PERFORMANCE

SAE 10W oil @ 150 degrees F

(Typical)





HYDRAULIC GEAR PUMPS AND MOTORS

# 'ME' Series

TANDEM MOTOR

BI-DIRECTIONAL



## Performance Data

MODEL SIZE	DISPLACEMENT/REVOLUTION (THEORETICAL)			MIN. RPM	MAX. RPM	MAXIMUM PRESSURE		IN/LB. TORQUE @ 2500 PSI		HP @ 2500 RPM 2500 PSI
	U.S. GALLONS	CUBIC INCHES	CUBIC CENT.			PSI	BAR	START	RUN	
ME30	.0258	5.98	98.0	600	2500	2500	172	1520	2181	74
ME35	.0300	6.93	113.5	600	2500	2500	172	1800	2561	90
ME40	.0342	7.90	129.4	600	2500	2500	172	2050	2940	105
ME45	.0386	8.92	146.2	600	2500	2500	172	2350	3320	124
ME50	.0427	9.86	161.6	600	2500	2500	172	2950	3600	132
ME55	.0470	10.86	178.0	600	2500	2500	172	3500	4000	150
ME66	.0570	13.17	215.9	600	2500	2500	172	4400	4900	170
ME77	.0658	15.20	249.2	600	2500	2500	172	4550	5500	200
ME95	.0819	18.91	309.9	600	2000	2000	138	4996	6019	203

- CAST IRON THROUGHOUT
- PRESSURES TO 4000 PSI
- FLOWS TO 204 GPM
- HEAVY DUTY SLEEVE TYPE BEARINGS
- DOUBLE VITON® SHAFT SEALS STANDARD
- PRESSURE COMPENSATED THRUST PLATES
- DESIGNED FOR HEAVY DUTY APPLICATIONS
- SINGLE AND MULTI-STAGE CONFIGURATIONS

- VARIOUS SHAFT, FLANGE AND PORT OPTIONS
- PRECISION GEARS MACHINED FROM SOLID BAR STOCK
- COMPATIBLE WITH MOST FIRE RESISTANT FLUIDS
- CONTAMINANT RESISTANT
- COMPUTER DESIGNED AND MANUFACTURED
- QUALITY CERTIFIED
- FLEXIBLE DESIGN FOR NEW OR OEM REPLACEMENTS
- SERVICE SUPPORTED BY DEDICATION AND INVENTORY

P. O. BOX 2160, 1506 FULTON DR.  
CORINTH, MISSISSIPPI 38835

Phone: 662/286-2252 Fax: 662/287-6580 E-mail: [haisales@geartek.com](mailto:haisales@geartek.com) Http: [www.geartek.com](http://www.geartek.com)



# SHAFTS AVAILABLE

**1**

**1 1/4"-14 TOOTH SPLINE**  
TORQUE LIMIT 650 FT/LBS

**SPLINE DATA**

DIAMETRAL PITCH	12/24
PRESSURE ANGLE	30°
NO. OF TEETH	14
MINOR DIA.	1.062-1.050

1.229  
1.223  
DIA.

1.65  
FULL SPLINE

2.19  
FLG. MTG. SURFACE

**7**

**1 1/2" STRAIGHT**  
TORQUE LIMIT 1180 FT/LBS

**8**

E55 & E77 ONLY

3/8"x3/8"x1 1/2" KEY

1.499  
1.498  
DIA.

2.94 - NO. 7  
5.00 - NO. 8  
FLG. MTG. SURFACE

**6**

**1 1/2"-17 TOOTH SPLINE**  
TORQUE LIMIT 1180 FT/LBS

**SPLINE DATA**

DIAMETRAL PITCH	12/24
PRESSURE ANGLE	30°
NO. OF TEETH	17
MINOR DIA.	1.290-1.300

1.480-1.474  
DIA.

1.93  
FULL SPLINE

2.88  
FLG. MTG. SURFACE

**9**

**1 1/2"-14 TOOTH SPLINE**  
TORQUE LIMIT 1180 FT/LBS

**SPLINE DATA**

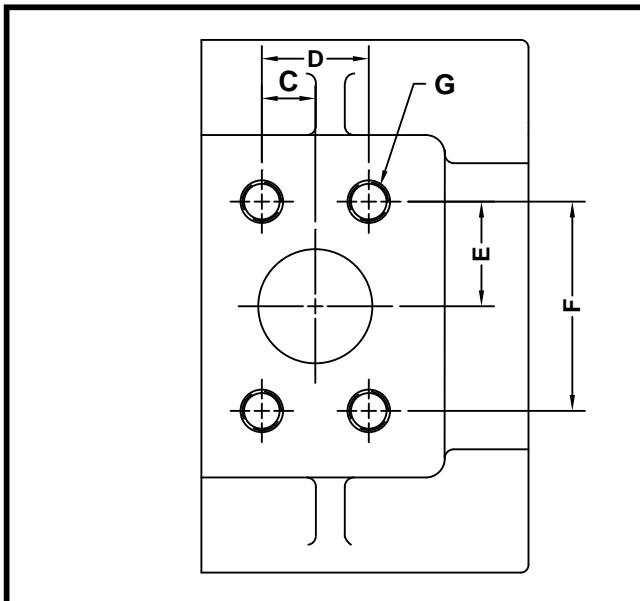
DIAMETRAL PITCH	10/20
PRESSURE ANGLE	30°
NO. OF TEETH	14
MINOR DIA.	1.251-1.271

1.480-1.474  
DIA.

1.93  
FULL SPLINE

2.88  
FLG. MTG. SURFACE

# STANDARD SAE 4-BOLT CONNECTOR PORTS



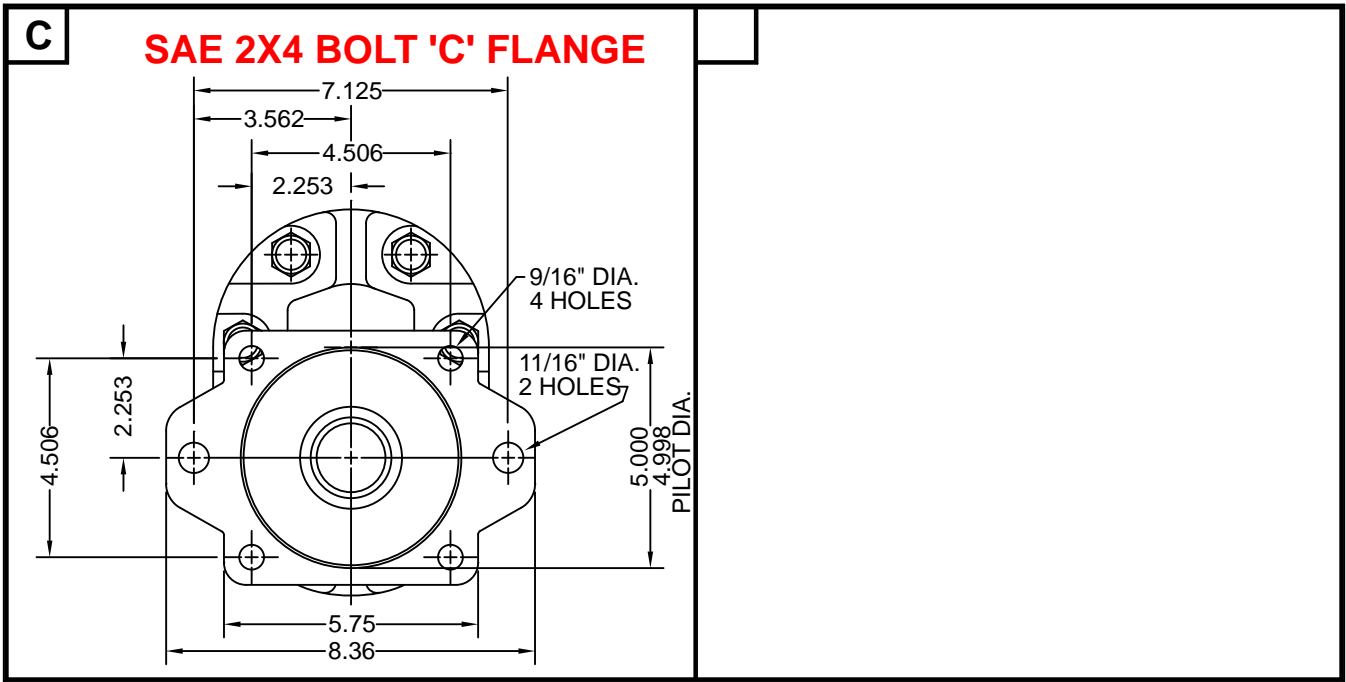
**SAE 4-BOLT CONN. PORTS**

SIZE	INLET SIZE	OUTLET SIZE
ME30	2"	2"
ME35	2"	2"
ME40	2"	2"
ME45	2"	2"
ME50	2"	2"
ME55	2"	2"
ME66	2"	2"
ME77	2"	2"

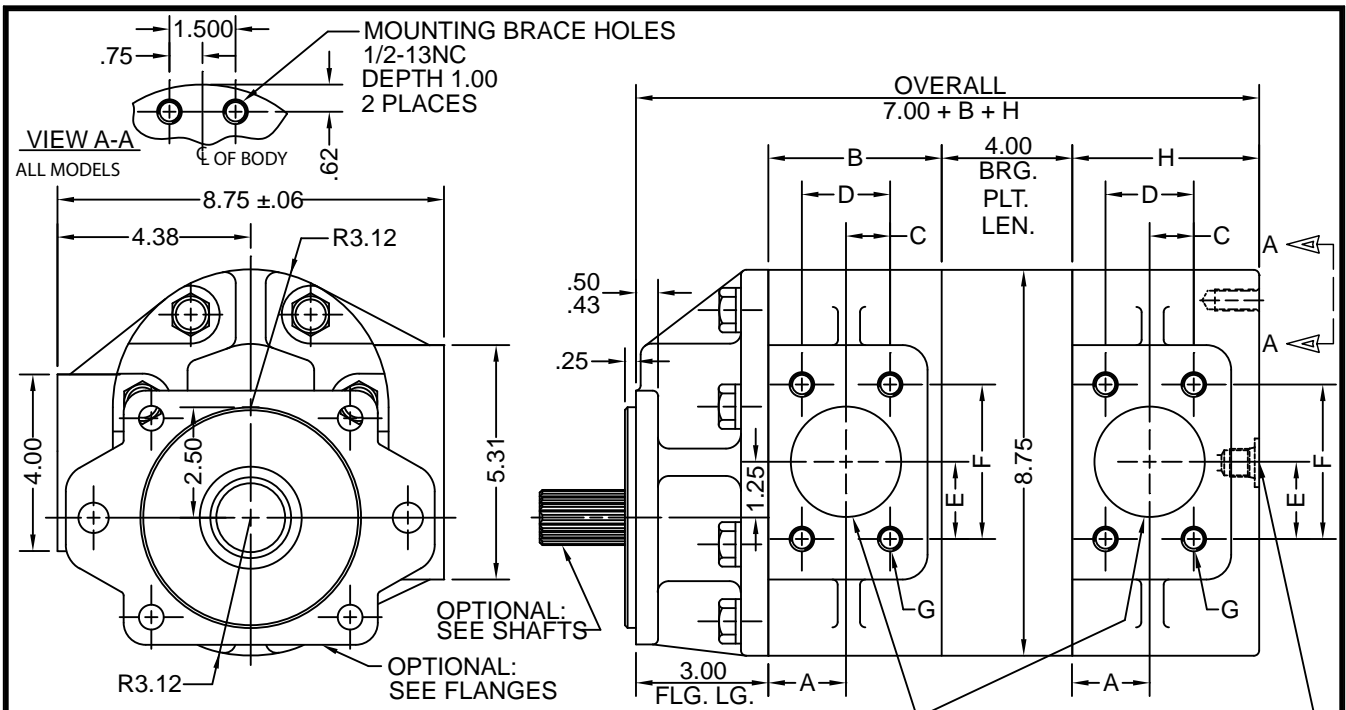
**4-BOLT CONNECTOR CHART**

SIZE	C	D	E	F	G
2"	.84	1.688	1.53	3.062	1/2-13NC

# FLANGES AVAILABLE



## DIMENSIONAL DATA



FOR METRIC DIMENSIONS  
MULTIPLY 25.4 X IN. = mm

INLET FOR 'R' ROTATION  
OUTLET FOR 'L' ROTATION  
VIEWED FROM DRIVE END

UNLESS HIGH PRESSURE SEAL IS USED  
TAIL DRAIN MUST BE USED IF BACK  
PRESSURE EXCEEDS 100 PSI ON MOTOR  
3/4-16UNF-2B ON MOTOR CENTERLINE  
NO. 8 PORT

OTHER PORT TYPES AVAILABLE  
CONSULT FACTORY

### MOUNTING DIMENSIONS

SIZE	A	B	H
ME30	1.75	4.33	4.92
ME35	1.92	4.51	5.10
ME40	2.09	4.68	5.27
ME45	2.28	4.87	5.46
ME50	2.45	5.04	5.63
ME55	2.63	5.22	5.81
ME66	3.05	5.64	6.23
ME77	3.42	6.01	6.60
-	-	-	-

\* THE OPTIONAL HIGH PRESSURE SEAL MAY BE USED WHEN DRAIN LINES ARE NOT PRACTICAL. FOR SYSTEMS TOLERATING A DRAIN LINE, ELIMINATE THE 'H' FROM THE MODEL CODE.

### MODEL EXAMPLE

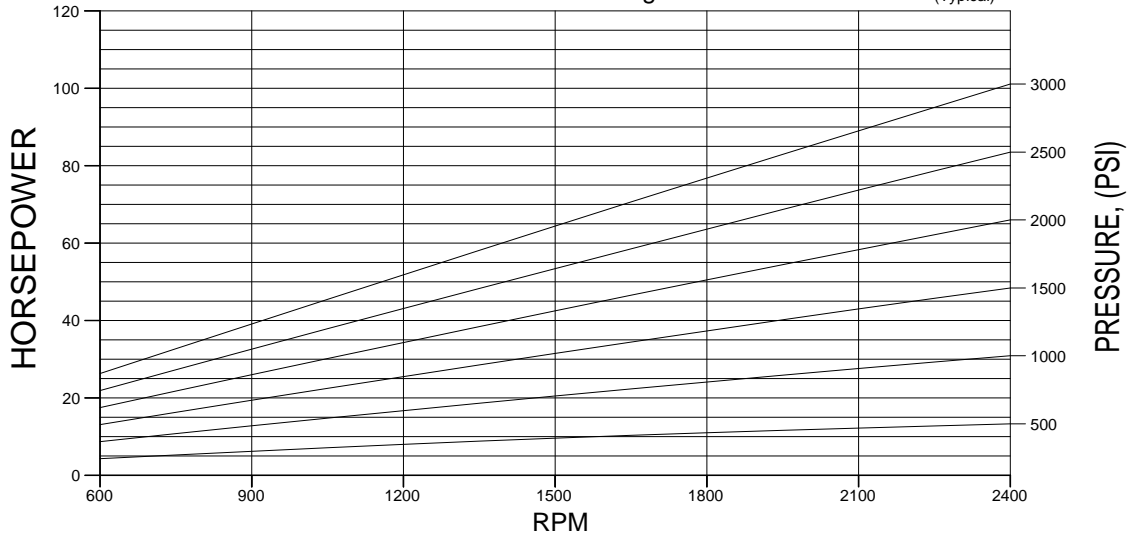
**ME X 30-30 - 1 C**

SERIES  
OPTIONAL: SPECIFY CODE 'H' THIS AREA FOR HIGH PRESSURE SEAL OTHERWISE: LEAVE BLANK  
SIZE  
FLANGE  
SHAFT

### GEARTEK ME30 MOTOR PERFORMANCE

SAE 10W oil @ 150 degrees F

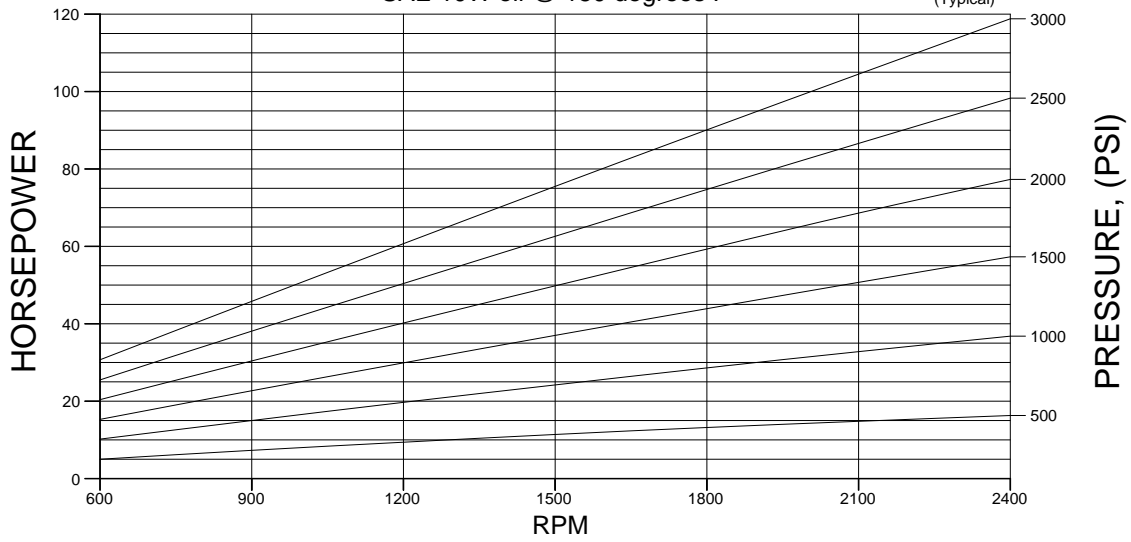
(Typical)



### GEARTEK ME35 MOTOR PERFORMANCE

SAE 10W oil @ 150 degrees F

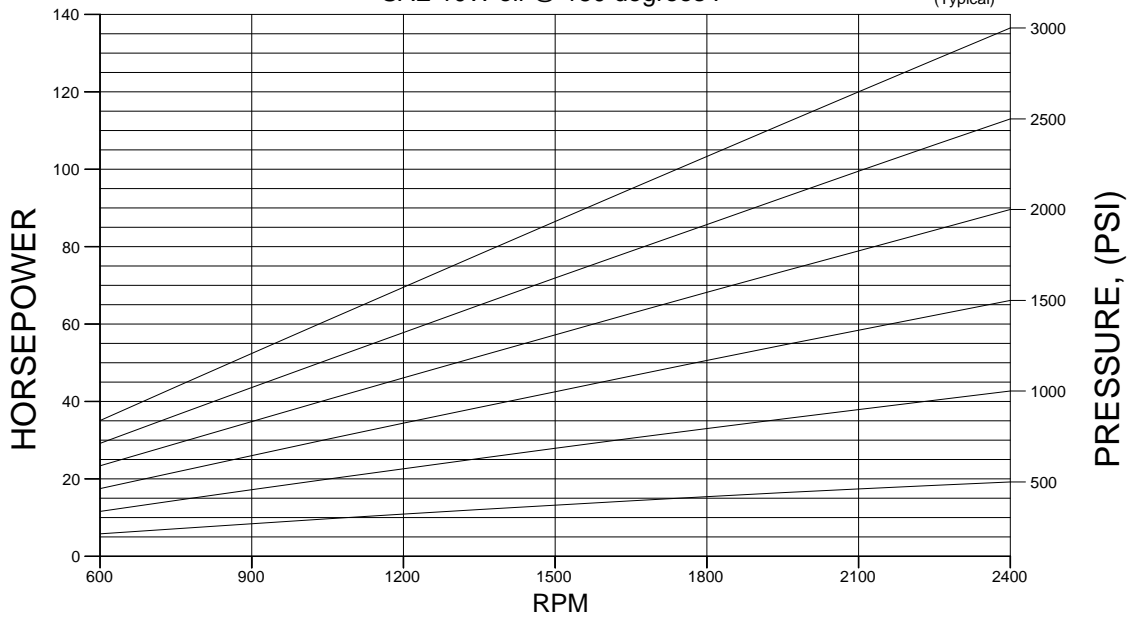
(Typical)



### GEARTEK ME40 MOTOR PERFORMANCE

SAE 10W oil @ 150 degrees F

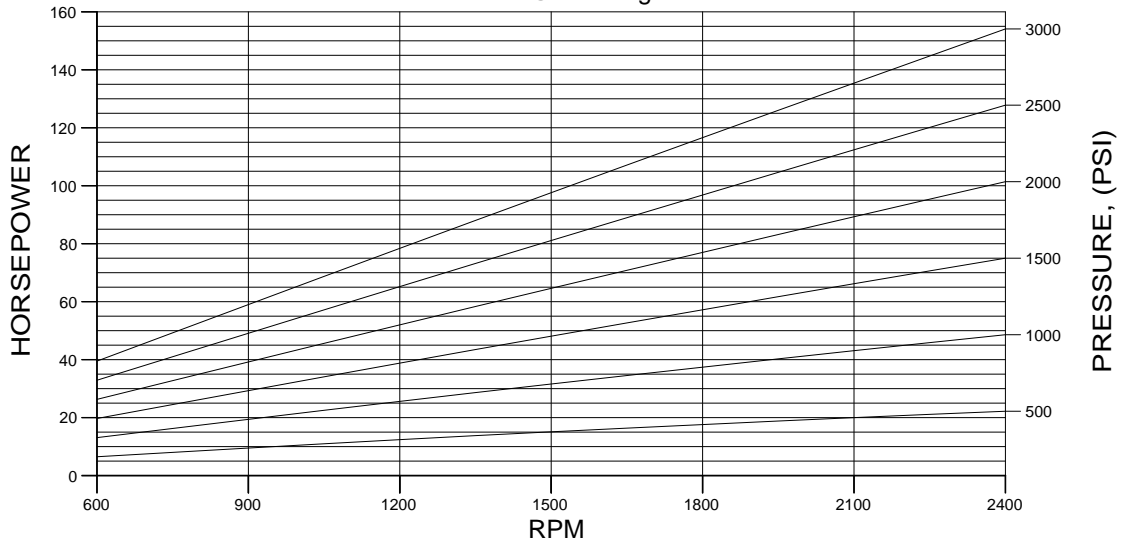
(Typical)



### GEARTEK ME45 MOTOR PERFORMANCE

SAE 10W oil @ 150 degrees F

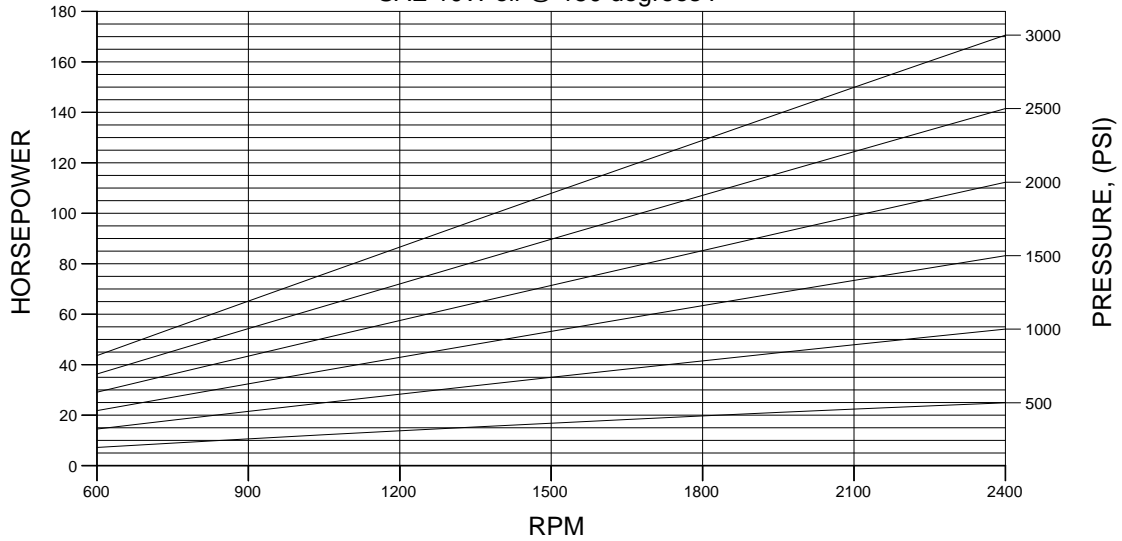
(Typical)



### GEARTEK ME50 MOTOR PERFORMANCE

SAE 10W oil @ 150 degrees F

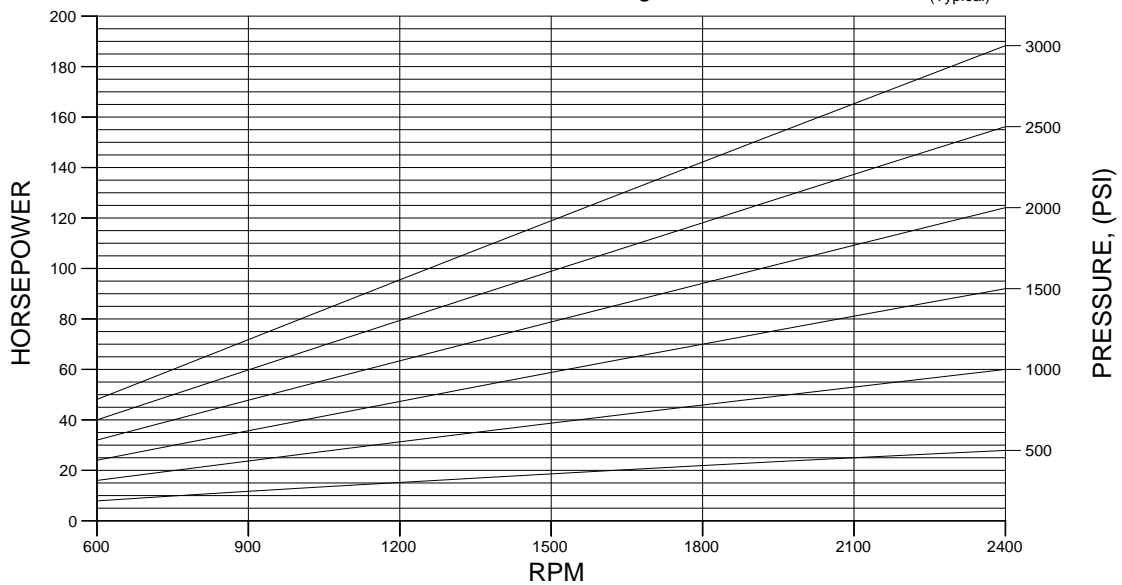
(Typical)



### GEARTEK ME55 MOTOR PERFORMANCE

SAE 10W oil @ 150 degrees F

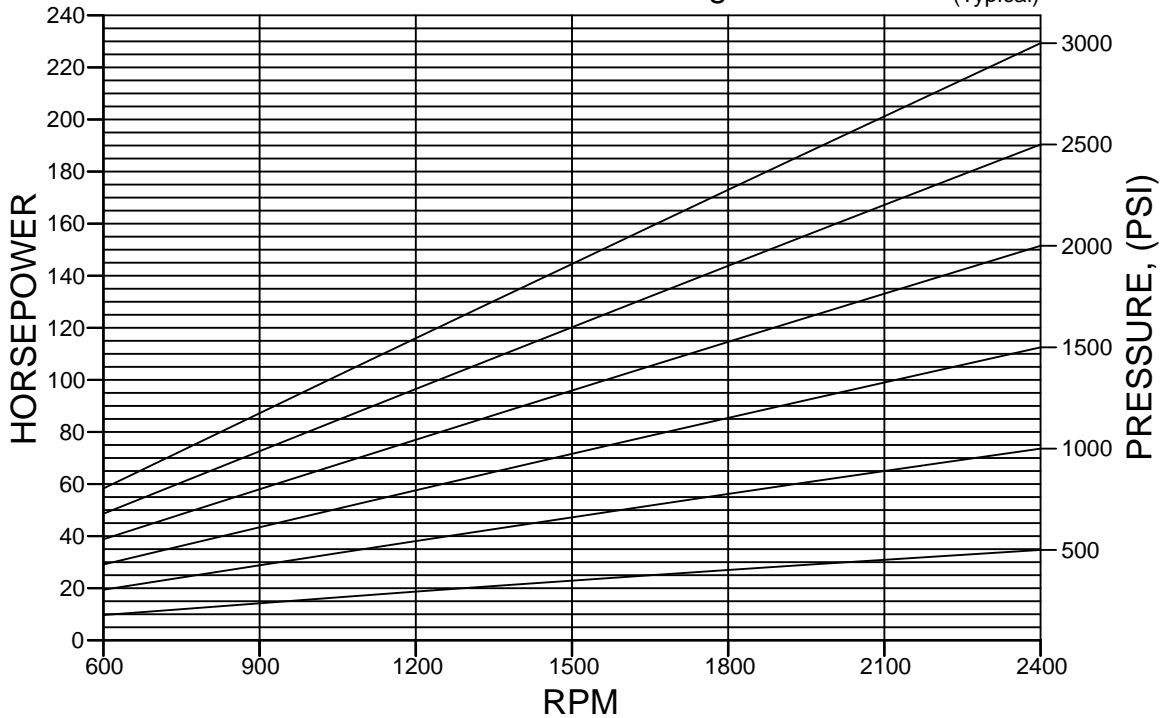
(Typical)



# GEARTEK ME66 MOTOR PERFORMANCE

SAE 10W oil @ 150 degrees F

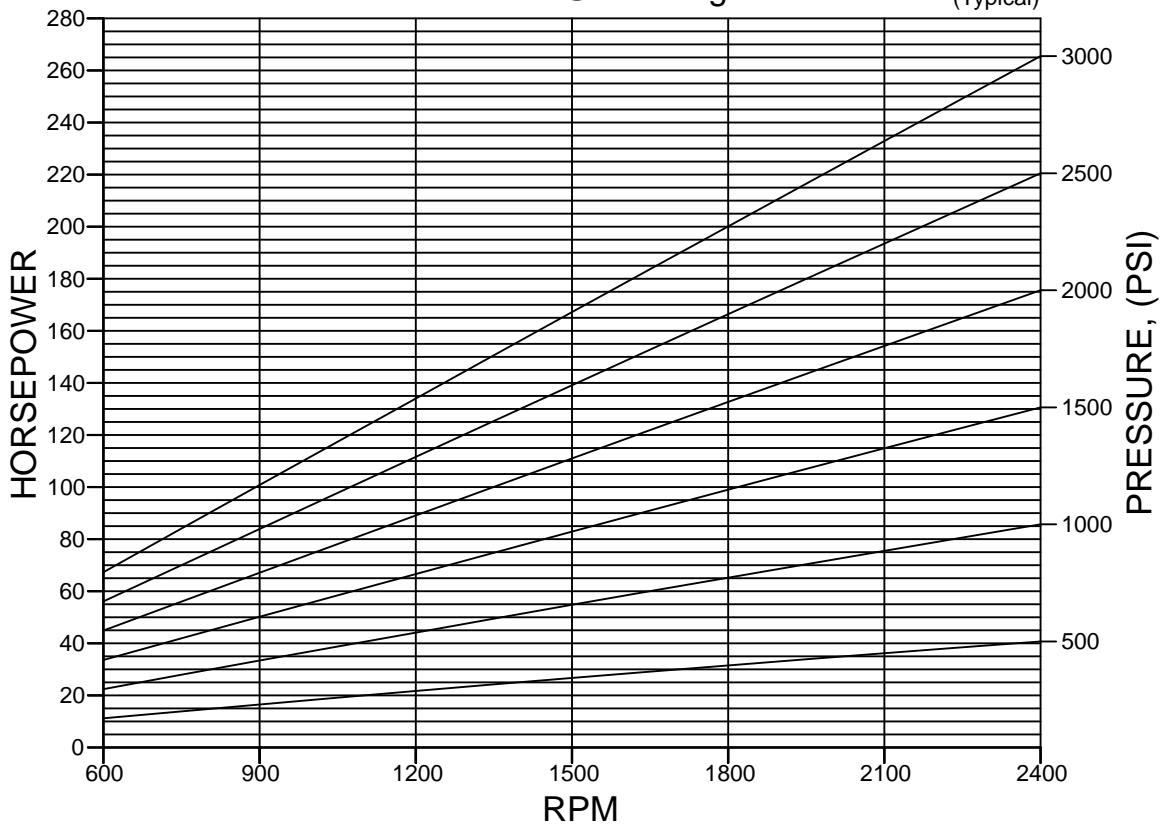
(Typical)



# GEARTEK ME77 MOTOR PERFORMANCE

SAE 10W oil @ 150 degrees F

(Typical)





HYDRAULIC GEAR PUMPS AND MOTORS

# 'F' Series

SINGLE PUMP

TANDEM AND PIGGY BACK  
AVAILABLE



## Performance Data

MODEL SIZE	DISPLACEMENT/REVOLUTION (THEORETICAL)			MIN. RPM	MAX. RPM	MAXIMUM PRESSURE	
	U.S. GALLONS	CUBIC INCHES	CUBIC CENT.			PSI	BAR
F45	.0386	8.92	146.2	600	2500	4000*	276
F50	.0427	9.86	161.6	600	2500	4000*	262
F55	.0470	10.86	178.0	600	2500	3400*	234
F66	.0570	13.17	215.9	600	2500	2900*	200
F77	.0658	15.20	249.2	600	2500	2750*	172
F85	.0727	16.79	275.2	600	2500	2250*	155

\* CONSULT FACTORY WITH TYPE APPLICATION

- CAST IRON THROUGHOUT
- PRESSURES TO 4000 PSI
- FLOWS TO 164 GPM
- HEAVY DUTY SLEEVE TYPE BEARINGS
- DOUBLE VITON @SHAFT SEALS STANDARD
- PRESSURE COMPENSATED THRUST PLATES
- DESIGNED FOR HEAVY DUTY APPLICATIONS
- SINGLE AND MULTI-STAGE CONFIGURATIONS
- VARIOUS SHAFT, FLANGE AND PORT OPTIONS
- PRECISION GEARS MACHINED FROM SOLID BAR STOCK
- COMPATIBLE WITH MOST FIRE RESISTANT FLUIDS
- CONTAMINANT RESISTANT
- COMPUTER DESIGNED AND MANUFACTURED
- QUALITY CERTIFIED
- FLEXIBLE DESIGN FOR NEW OR OEM REPLACEMENTS
- SERVICE SUPPORTED BY DEDICATION AND INVENTORY

P. O. BOX 2160, 1506 FULTON DR.  
CORINTH, MISSISSIPPI 38835

Phone: 662/286-2252 Fax: 662/287-6580 E-mail: [haisales@geartek.com](mailto:haisales@geartek.com) Http: [www.geartek.com](http://www.geartek.com)

**SHAFT AVAILABLE**

**2** **1 3/4"-13 TOOTH SPLINE**  
**TORQUE LIMIT 1800 FT/LBS**

**SPLINE DATA**

DIAMETRAL PITCH	8/16
PRESSURE ANGLE	30°
NO. OF TEETH	13
MINOR DIA.	1.471-1.453

**PORT AVAILABLE**

**3** **SAE 4-BOLT CONNECTOR**  
 3" SUCTION  
 1 1/2" DISCHARGE  
OPTIONAL PORTS AVAILABLE

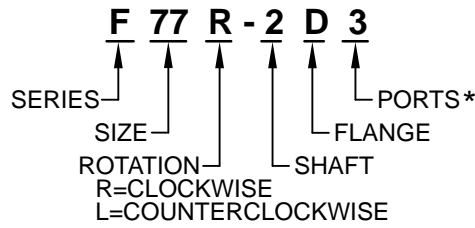
**FLANGE AVAILABLE**

**D** **SAE 'D' FLANGE**

# DIMENSIONAL DATA

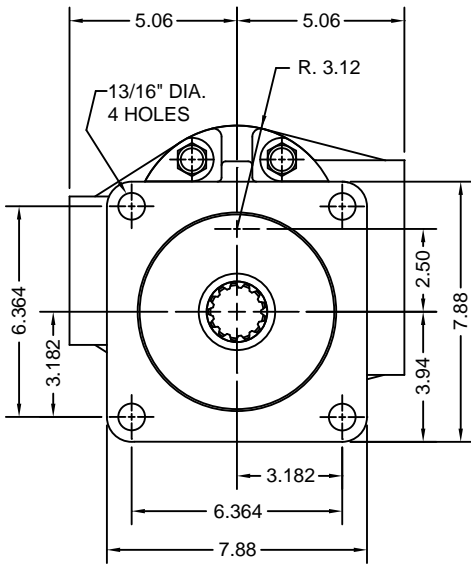
SPECIAL MODELS AVAILABLE  
IN TANDEM AND PIGGY BACK  
CONSULT FACTORY

## MODEL EXAMPLE

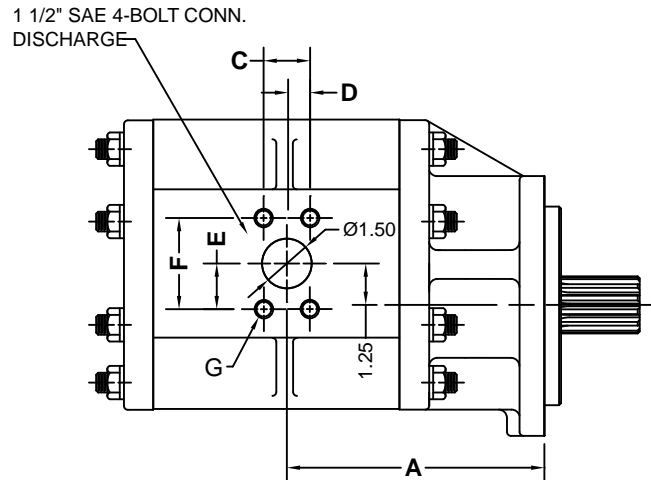
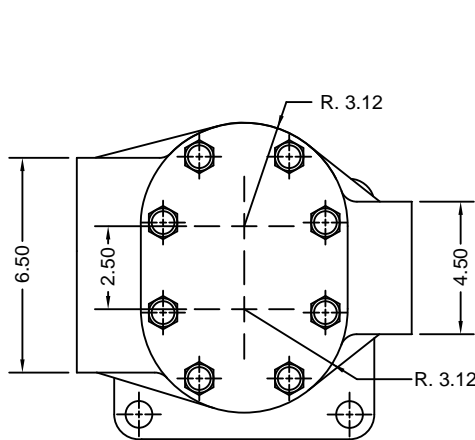
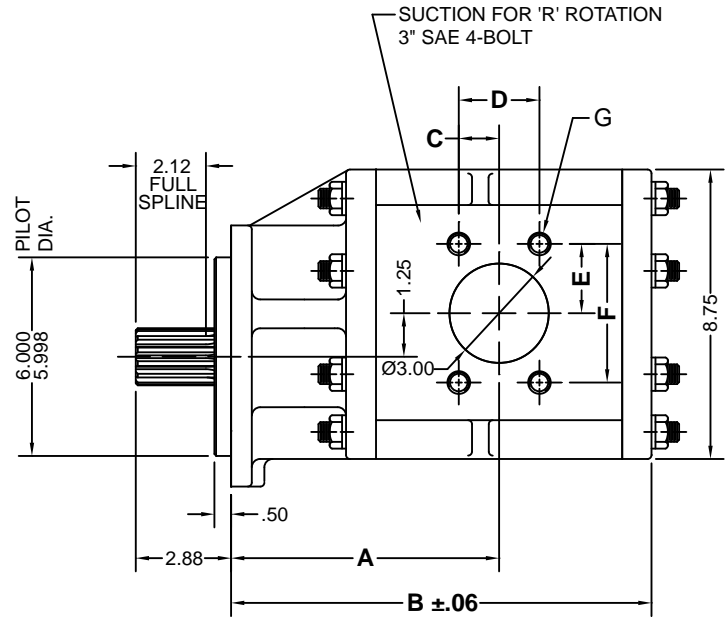


\* F77 & F85 AVAILABLE WITH 4" SAE  
4-BOLT SUCTION AND 2" SAE  
4-BOLT DISCHARGE PORT - CODE 4

F77 & F85 WITH 3" AND 1 1/2" PORTS  
WILL BE ROTATED 90° FROM  
PICTURE BELOW



DRAWN FOR 'R' RIGHT HAND ROTATION



### MOUNTING DIMENSIONS

SIZE	A	B
F45	6.68	11.38
F50	6.90	11.61
F55	7.13	11.83
F66	7.66	12.36
* F77	8.13	12.82
* F85	8.13	13.19

FOR METRIC DIMENSIONS  
MULTIPLY 25.4 X IN. = mm

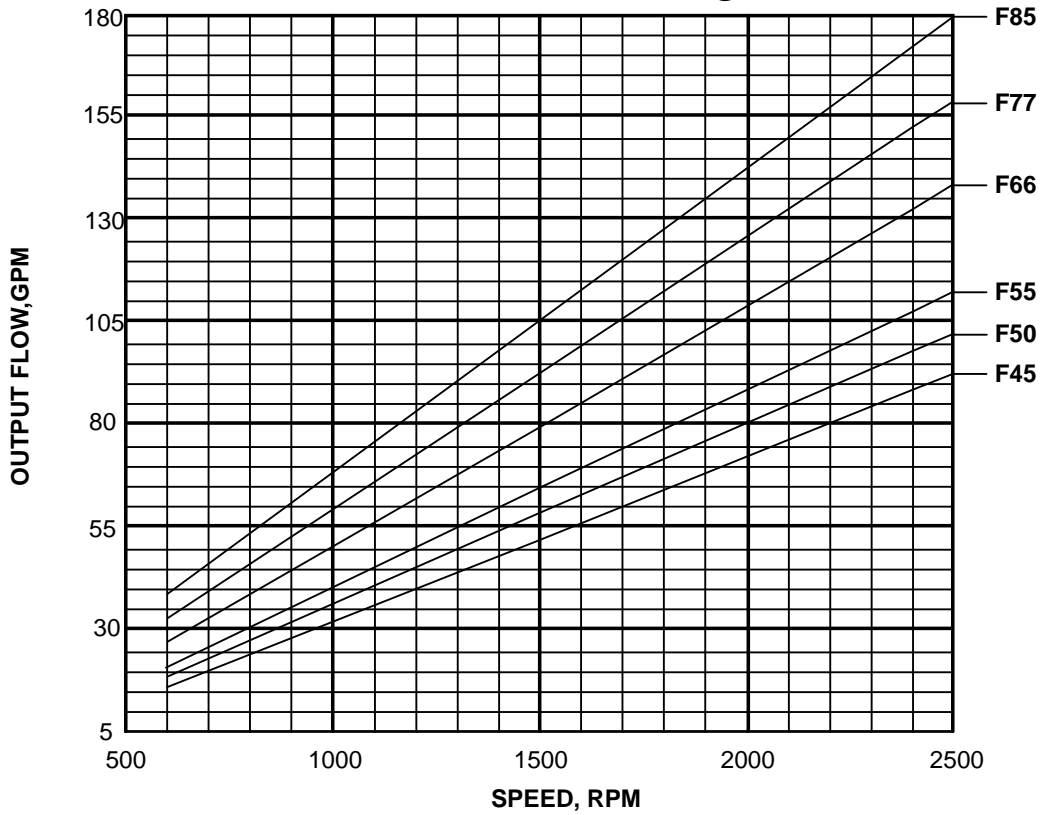
### 4-BOLT CONNECTOR CHART

SIZE	C	D	E	F	G
1 1/2"	.70	1.406	1.37	2.750	1/2-13NC
3"	1.21	2.438	2.09	4.188	5/8-11NC



**TYPICAL PERFORMANCE DATA**  
 SAE 10W oil @ 150 DEGREES FAHRENHEIT  
 (150 SSU)

**'F' SERIES TYPICAL PUMP FLOW @ 2500 PSI**



**'F' SERIES PUMP HORSEPOWER IN @ 2500 PSI**

